

# JUMO dTRON 304/308/316

Compact Controller with program function



Type 703043



Type 703042



Type 703044



Type 703041

**B 70.3041.0**  
Operating Manual







Please read this operating manual before commissioning the instrument. Keep the manual in a place which is accessible to all users at all times.

Your comments are appreciated and may help us in improving this manual.

All necessary settings are described in this operating manual. Manipulations not described in the manual or expressly forbidden will jeopardize your warranty rights. Please contact the nearest subsidiary or the head office, should you encounter problems.

This manual is valid from **instrument software version 192.02.05**.

It appears by simultaneously pressing the  and  keys.



When accessing the inner parts of the unit and returning modules, assemblies or components, please observe the regulations according to EN 61340-5-1 and EN 61340-5-2 „Protection of electrostatic sensitive devices“. Only use **ESD** packaging for transport.

Please note that we cannot accept any liability for damage caused by ESD.

**ESD=Electro Static Discharge**

<b>1</b>	<b>Introduction</b>	<b>7</b>
1.1	Description .....	7
1.2	Typographical conventions .....	8
<b>2</b>	<b>Identifying the instrument version</b>	<b>9</b>
2.1	Type designation .....	9
2.2	Scope of delivery .....	10
2.3	Accessories .....	10
<b>3</b>	<b>Mounting</b>	<b>11</b>
3.1	Mounting site and climatic conditions .....	11
3.2	Dimensions .....	11
3.2.1	Type 703044 .....	11
3.2.2	Type 703042/43 .....	12
3.2.3	Type 703041 .....	12
3.3	Side-by-side mounting .....	13
3.4	Fitting in position .....	13
3.5	Removing the controller module .....	14
<b>4</b>	<b>Electrical connection</b>	<b>15</b>
4.1	Installation notes .....	15
4.2	Electrical isolation .....	16
4.3	Connection diagrams .....	17
4.3.1	Type 703041 .....	17
4.3.2	Type 703042/43/44 .....	20
4.3.3	Termination resistor for the RS422/485 serial interface .....	24
4.3.4	Connection of the PROFIBUS-DP connector .....	24

---

<b>5</b>	<b>Operation</b>	<b>25</b>
5.1	Displays and controls .....	25
5.2	Level concept .....	26
5.3	Level inhibit .....	27
5.4	Entries and operator prompting .....	28
5.5	Fixed-setpoint controller (ex-factory) .....	29
5.6	Program controller .....	30
5.6.1	Entering programs .....	30
5.6.2	Operation .....	32
5.6.3	Shifting the program profile .....	33
<b>6</b>	<b>Operator level</b>	<b>35</b>
<b>7</b>	<b>Parameter level</b>	<b>37</b>
<b>8</b>	<b>Configuration</b>	<b>39</b>
8.1	Analog inputs “InP” .....	41
8.1.1	Customized fine tuning .....	43
8.2	Controller “Cntr” .....	45
8.3	Generator “Pro” .....	47
8.4	Limit comparators “LC” .....	50
8.5	Outputs “OutP” .....	54
8.6	Binary functions “binF” .....	56
8.7	Display “diSP” .....	59
8.8	Timer “tFct” .....	61
8.9	Interfaces “IntF” .....	62
<b>9</b>	<b>Tuning (optimization)</b>	<b>63</b>
9.1	Autotuning (self-optimization) .....	63
9.2	Check of the tuning .....	66

---

## Contents

---

<b>10</b>	<b>Extra codes</b>	<b>67</b>
10.1	Math and logic module .....	67
10.2	Difference, humidity or ratio controller .....	67
<b>11</b>	<b>Retrofitting of modules</b>	<b>69</b>
<b>12</b>	<b>Appendix</b>	<b>71</b>
12.1	Technical data .....	71
12.2	Alarm messages .....	74
<b>13</b>	<b>Index</b>	<b>75</b>

---

# Contents

---

---

# 1 Introduction

## 1.1 Description

The controller series consists of four freely programmable instruments in different DIN formats for controlling temperature, pressure and other process variables.

As a temperature controller TR<sup>1</sup> according to EN 14597 the devices are used in heat-generating plants to control the temperature of liquids or gases (mode of action: 1B).

The high-contrast, multicolor LCD display for process value, setpoint and operator prompting contains two four-digit 7-segment displays, two single-character 16-segment displays, display of the active setpoints, six status indicators, and displays for the unit, ramp function and manual operation.

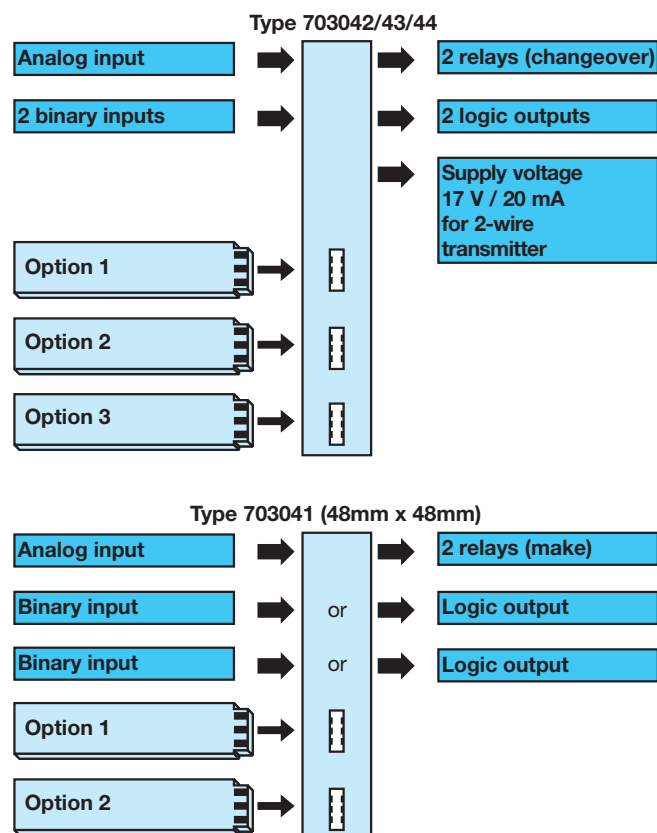
Just four keys on the front panel are needed for operation, parameterization and configuration. The instruments can be used as 2-state, 3-state, modulating or continuous controllers. The controller software includes a program or ramp function, parameter set changeover, two autotuning (self-optimization) procedures, a math and logic module, as well as 4 limit comparators.

Linearizations for the usual transducers are stored, and a customer-specific linearization table can be programmed.

A setup program is available for user-friendly configuration from a PC.

An RS422/485 or a Profibus-DP interface can be used to integrate the instrument into a data network.

The electrical connection is made at the back of the instrument, via screw terminals.










1. For more detailed explanation, see EN 14597

# 1 Introduction

---

## 1.2 Typographical conventions

Warning signs		<b>Danger</b>	This symbol is used when there may be <b>danger to personnel</b> if the instructions are ignored or not followed correctly!
		<b>Caution</b>	This symbol is used when there may be <b>damage to equipment or data</b> if the instructions are ignored or not followed correctly!
		<b>Caution</b>	This symbol is used where special care is required when handling components liable to damage through electrostatic discharge.
Note signs		<b>Note</b>	This symbol is used when <b>your special attention</b> is drawn to a remark.
		<b>Reference</b>	This symbol refers to further information in other operating instructions, chapters or sections.
	*	<b>Action instruction</b>	This symbol indicates that an action to be performed is described. The individual steps are marked by this asterisk, e.g. * Press 
Representation		<b>Menu items</b>	Texts from the setup program are shown in italics, for example: <i>edit program</i> .
		<b>Blinking display</b>	



# 2 Identifying the instrument version

## 2.1 Type designation

Basic type	
703041	JUMO dTRON 316, format 48mm x 48mm incl. 1 analog input, 2 relay outputs and 2 binary inputs or 2 logic outputs
703042	JUMO dTRON 308, format 48mm x 96mm (portrait format) incl. 1 analog and 2 binary inputs, 2 relays and 2 logic outputs
703043	JUMO dTRON 308, format 96mm x 48mm (landscape format) incl. 1 analog and 2 binary inputs, 2 relays and 2 logic outputs
703044	JUMO dTRON 304, format 96mm x 96mm incl. 1 analog and 2 binary inputs, 2 relays and 2 logic outputs

Basic type extensions	
1	<b>Basic type 1</b>
	<b>Version</b>
8	standard, with factory settings
9	programming to customer specification
	<b>logic outputs (2 are available as standard)</b>
1	0 / 12V
2	0 / 18V

1.	2.	3.	Option slot	Type 703042/43/44 Max. number	Type 703041 (no option 3) Max. number	Option 1	Option 2
0	0	0	not used			X	X
1	1	1	analog input 2 (universal)	1	1	X	X
2	2	2	relay (changeover)	2	1	X	-
3	3	3	2 relays (make contact)	2	1	X	-
4	4	4	analog output	2	2	X	X
5	5	5	2 binary inputs	2	1	X	X
6	6	6	solid-state relay 1A	2	2	X	X
7	7	7	RS422/485 interface	1	1	X	X
8	8	8	Profibus-DP interface	1	1	X	X

X = available in this option slot, - = not available in this option slot

Supply	
2	3 110 – 240V AC -15/+10%, 48 – 63Hz
2	5 20 – 30V AC/DC, 48 – 63Hz

Extra codes	
0	0 0 none
2	1 4 math and logic module
2	1 7 ratio controller (requirement: 2 analog inputs)
2	1 8 difference controller (requirement: 2 analog inputs)
2	1 9 humidity controller (requirement: 2 analog inputs)

Approvals	
0	0 0 none
0	5 6 DIN EN 14597
	dTRON 304 with GL approval on request

□ / 1 □ □ □ - □ □ □ - □ □ / □ □ □ , □ □ □ □

703041 / 1 8 1 - 1 4 0 - 2 3 / 0 0 0 ,

# 2 Identifying the instrument version

## 2.2 Scope of delivery

- 1 controller
- 1 seal
- mounting brackets
- Operating Manual B70.3041.0 in DIN A6 format

1 CD with demo software and PDF documents in DIN A4 format (operating manual and further documentation) can be ordered separately.

The individual documents and programs are available for download from [www.jumo.net](http://www.jumo.net) (the software can be enabled for a charge.)

## 2.3 Accessories

---

**PC interface** PC interface with TTL/RS232 converter and adapter (socket connector) for setup program  
Sales No. 70/00350260

---

**USB interface** PC interface with USB/TTL converter, adapter (socket connector) and adapter (pins)  
Sales No. 70/00456352

---

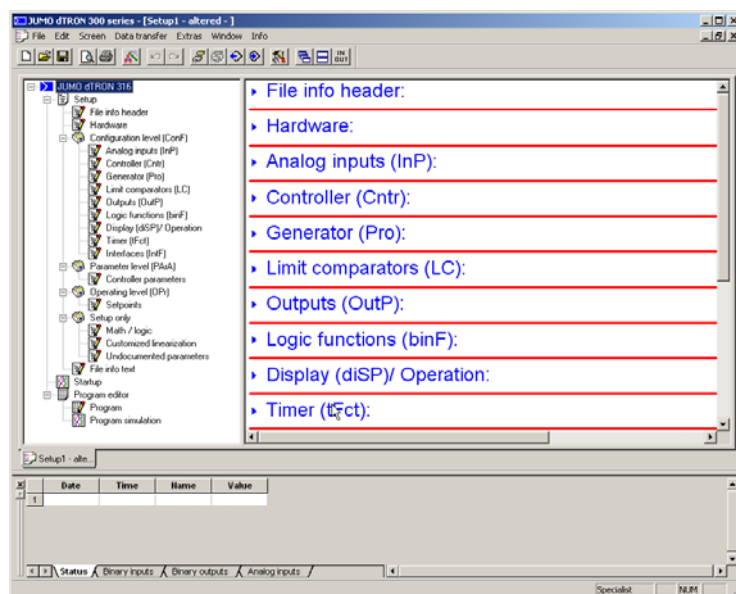
**Setup program** Setup program with program editor and Startup  
Sales No. 70/00445443

Hardware requirements:

- PC Pentium 100 or compatible
- 128 MB RAM, 30 MB free fixed disc memory
- CD ROM drive
- free serial or USB interface

Software requirements:

Microsoft<sup>1</sup> Windows 98/NT4.0/ME/2000/XP



1. Microsoft is a registered trademark of Microsoft Corporation

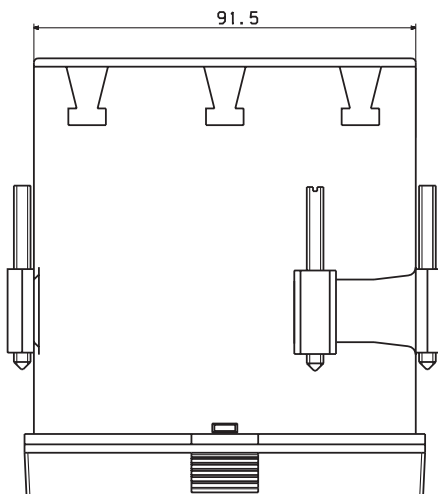
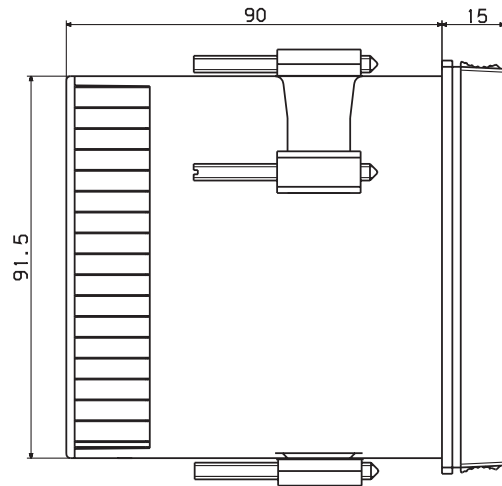
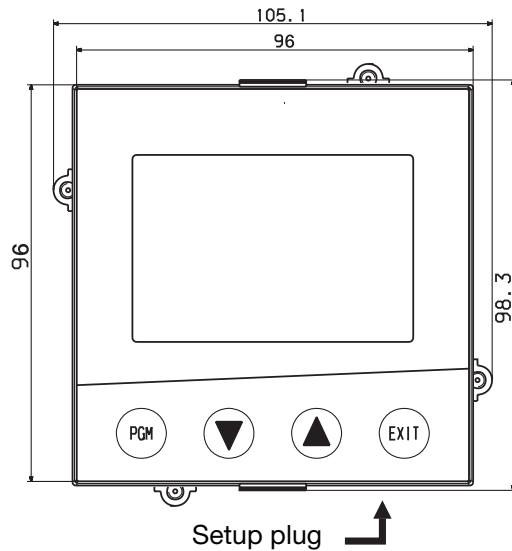
# 3 Mounting

## 3.1 Mounting site and climatic conditions

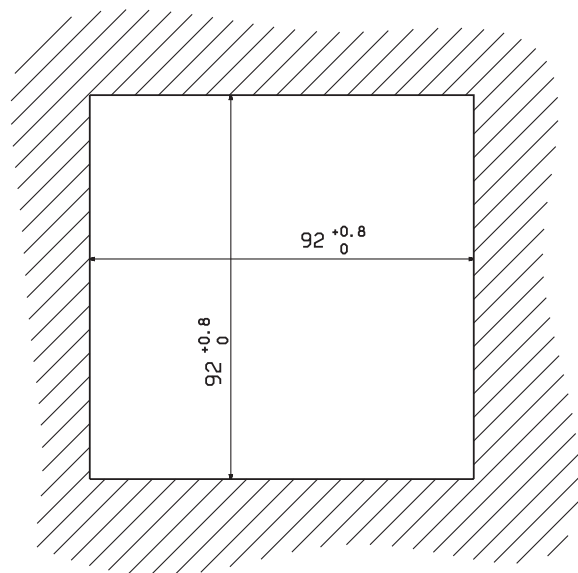
The conditions on the mounting site must meet the requirements specified in the technical data. The ambient temperature on the mounting site can be from 0 to 55 °C, with a relative humidity of not more than 90 %.

## 3.2 Dimensions

### 3.2.1 Type 703044

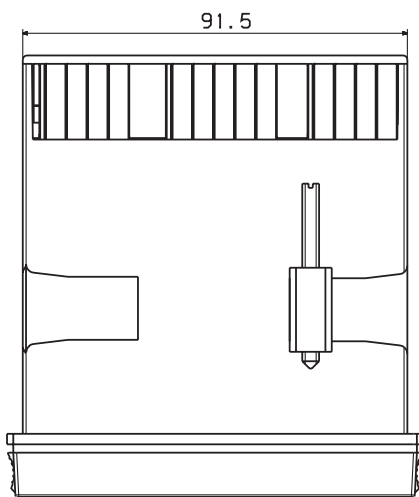
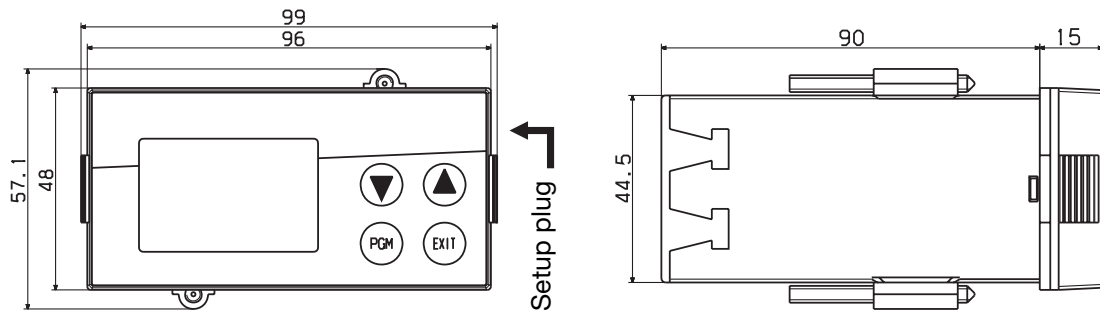


Panel cut-out

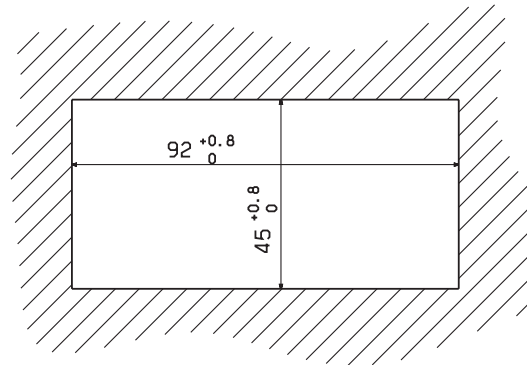


# 3 Mounting

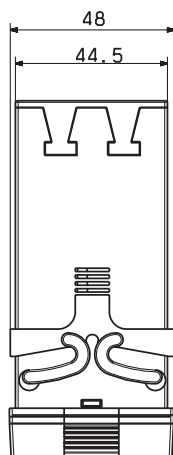
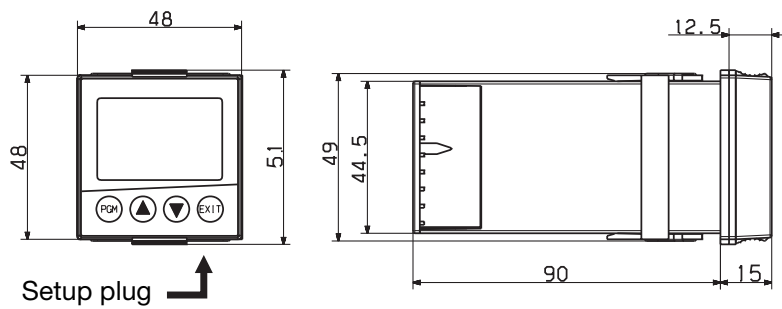
## 3.2.2 Type 703042/43



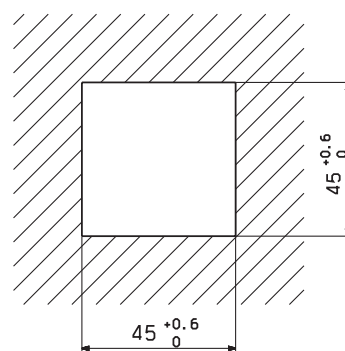
Panel cut-out



## 3.2.3 Type 703041



Panel cut-out



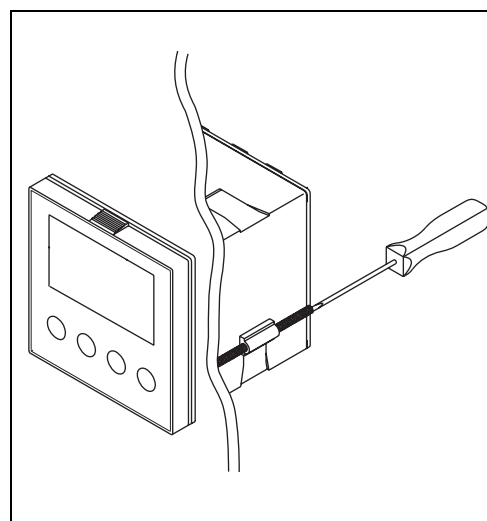
## 3.3 Side-by-side mounting

Minimum spacing of panel cut-outs		
Type	horizontal	vertical
without setup plug:		
703041 (48mm x 48mm)	11 mm	30mm
703042 (portrait format: 48mm x 96mm))	11 mm	30mm
703043 (landscape format: 96mm x 48mm)	30mm	11 mm
703044 (96mm x 96mm)	11 mm	30mm
with setup plug (see arrow):		
703041 (48mm x 48mm)	11 mm	65mm
703042 (portrait format: 48mm x 96mm))	11 mm	65mm
703043 (landscape format: 96mm x 48mm)	65mm	11 mm
703044 (96mm x 96mm)	11 mm	65mm

## 3.4 Fitting in position

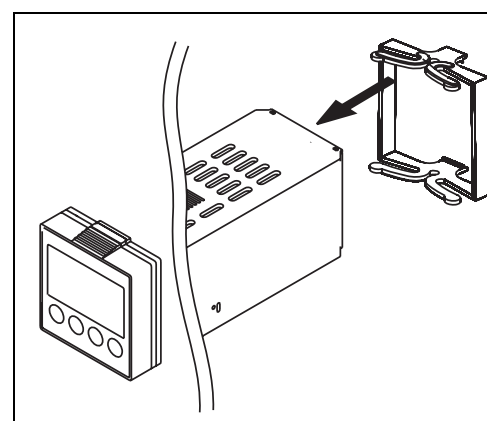
### Type 703042/43/44

- \* Fit the seal that is supplied onto the instrument body.
- \* Insert the controller from the front into the panel cut-out.
- \* From behind the panel, slide the mounting brackets into the guides on the sides of the housing. The flat faces of the mounting brackets must lie against the housing.
- \* Push the mounting brackets up to the back of the panel, and tighten them evenly with a screwdriver.



### Type 703041

- \* Fit the seal that is supplied onto the instrument body.
- \* Insert the controller from the front into the panel cut-out.
- \* From the back of the panel, push the mounting frame onto the instrument body and press it against the back of the panel, compressing the springs, until the latches snap into the notches provided and it is firmly fixed in position.



### Care of the front panel

The front panel can be cleaned with normal commercial washing, rinsing and cleaning agents. It has a limited resistance to organic solvents (e.g. methylated spirits, white spirit, P1, xylol etc.). Do not use high-pressure cleaning equipment.

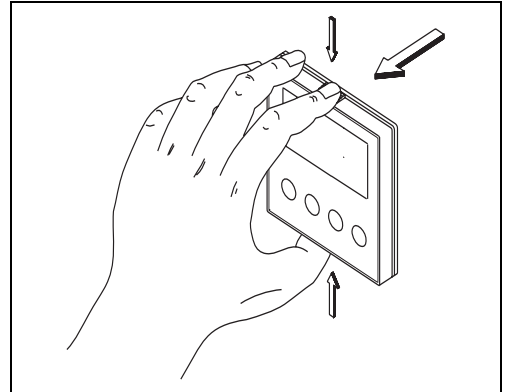
# 3 Mounting

---

## 3.5 Removing the controller module

The controller module can be removed from its housing for servicing.

- \* Press together the knurled areas (top and bottom, or left and right for landscape format) and pull out the controller module.



When inserting the controller module, make sure that the latches (below the knurled areas) snap into place.

# 4 Electrical connection

## 4.1 Installation notes

- The choice of cable, the installation and the electrical connection must conform to the requirements of VDE 0100 “Regulations on the Installation of Power Circuits with Nominal Voltages below 1000 V” or the appropriate local regulations.
- The electrical connection must only be carried out by qualified personnel.
- The instrument shall be operated by mains protected with a branch circuitry overcurrent protection device not more than 20 Amps.  
For servicing/repairing a Disconnecting Device shall be provided to disconnect all conductors.
- The load circuit must be fused for the maximum relay current, in order to prevent the output relay contacts becoming welded in the event of a short circuit.
- Electromagnetic compatibility conforms to the standards and regulations cited in the technical data.
- Run input, output and supply cables separately and not parallel to one another.
- Sensor and interface cables should be shielded cables with twisted conductors. Do not run them close to current-carrying components or cables. Ground the shielding on one side.
- Do not connect any additional loads to the supply terminals of the instrument.
- The instrument is not suitable for use in areas with an explosion hazard (Ex areas).
- In addition to faulty installation, incorrect settings on the controller (setpoint, data of the parameter and configuration levels, internal alterations) can also interfere with the correct operation of dependent processes, or even cause damage. Safety devices should always be provided that are independent of the controller (such as overpressure valves or temperature limiters/monitors) and only capable of adjustment by specialist personnel. Please observe the relevant safety regulations for such matters. Since adaptation (self-optimization) can not be expected to handle all possible control loops, an unstable parameterization is theoretically possible. The stability of the actual value that is produced should therefore be checked.



The electrical connection must only be carried out by specialist personnel.



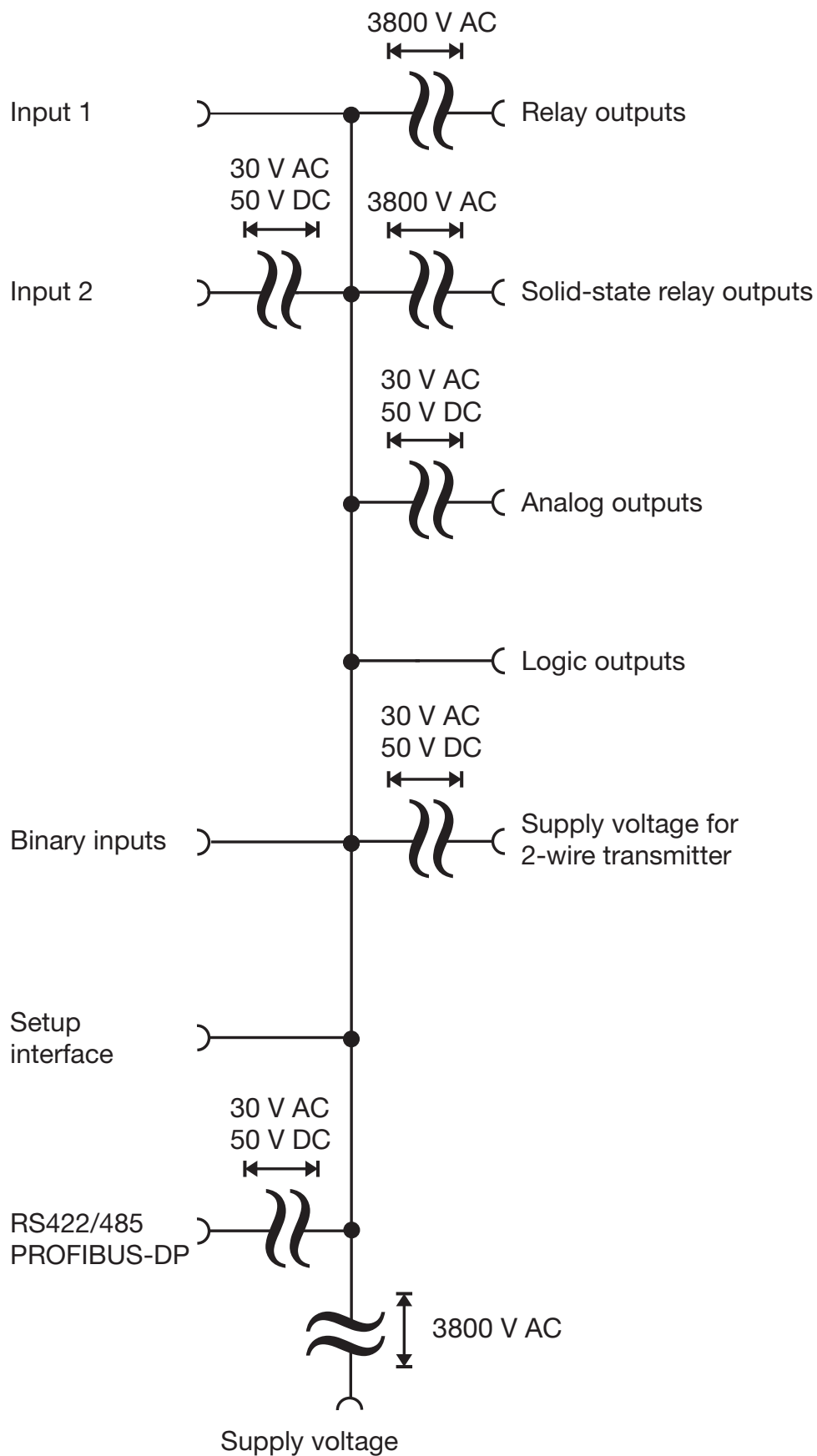
The instrument version can be identified by the type code.

### Conductor cross-sections and core-end ferrules for installation

	Minimum cross-section	Maximum cross-section	Min. length of core-end ferrule
Without core-end ferrule	0.34mm <sup>2</sup>	2.5mm <sup>2</sup>	10mm (stripped)
Core-end ferrule, no lip	0.25mm <sup>2</sup>	2.5mm <sup>2</sup>	10mm
Core-end ferrule, lip up to 1.5mm <sup>2</sup>	0.25mm <sup>2</sup>	1.5mm <sup>2</sup>	10mm
Core-end ferrule, lip above 1.5mm <sup>2</sup>	1.5mm <sup>2</sup>	2.5mm <sup>2</sup>	12mm
Twin ferrule with lip	0.25mm <sup>2</sup>	1.5mm <sup>2</sup>	12mm

# 4 Electrical connection

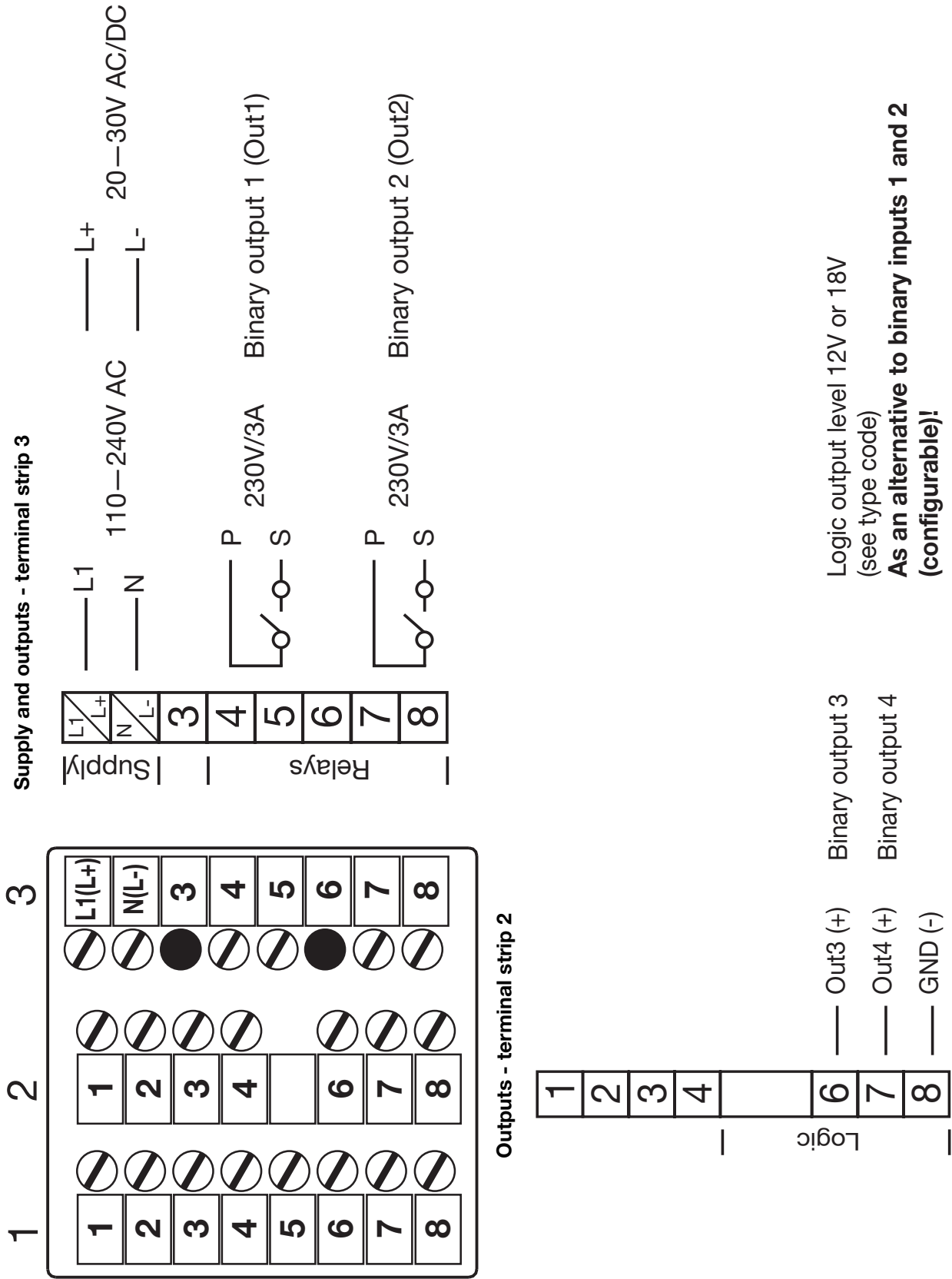
## 4.2 Electrical isolation





## 4.3 Connection diagrams

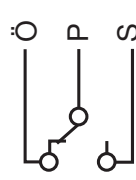
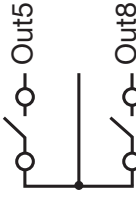


### 4.3.1 Type 703041



Type 703041 continued

# 4 Electrical connection

## Outputs and interfaces - terminal strip 1 (option board)

	Analog output	Relay (changeover)	2 relays (n.o. make)	Solid-state relay	PROFIBUS	RS422	RS485
Option 1	1 ..... 2 $\frac{+}{-}$ $\frac{U_x / I_x}{-}$	 Binary output 5 (Out5)	 Binary output 5+8 (Out5+Out8)	.....  Binary output 5 (Out5)	--- VP (+5 V) --- RxD/TxD-P (B) --- RxD/TxD-N (A)	--- RxD + --- RxD - --- TxD + --- TxD -	--- RxD + --- RxD - --- RxD/TxD + --- RxD/TxD -
Option 2	..... 6 $\frac{+}{-}$ $\frac{U_x / I_x}{-}$ 8 Analog output 6 (Out6)	(not possible!)	(not possible!)	.....  Binary output 6 (Out6)	--- VP (+5 V) --- RxD/TxD-P (B) --- RxD/TxD-N (A)	--- RxD + --- RxD - --- TxD + --- TxD -	--- RxD + --- RxD - --- RxD/TxD + --- RxD/TxD -

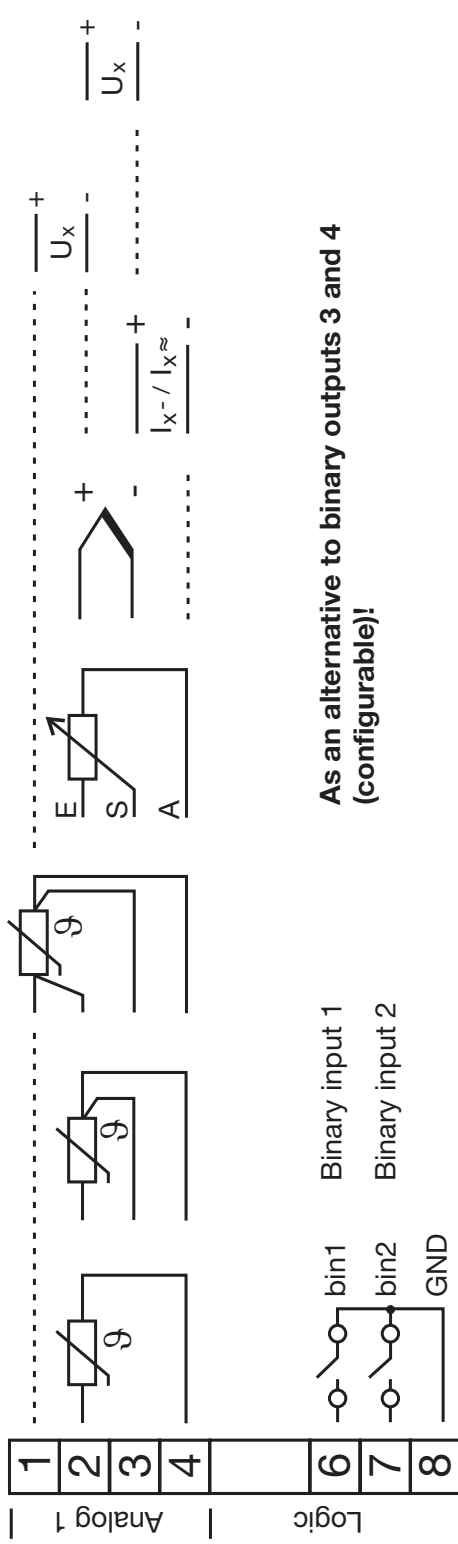


Note numbering of outputs.

⇒ Chapter 8.5 “Outputs “OutP””

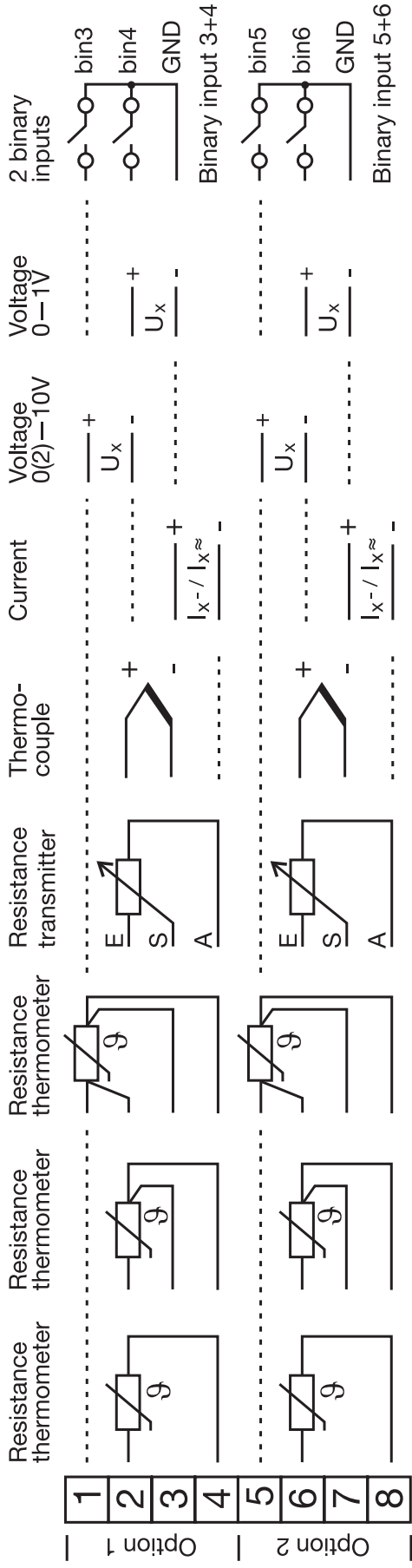
Type 703041 continued

## Analog input 1 and binary inputs 1+2 - terminal strip 2



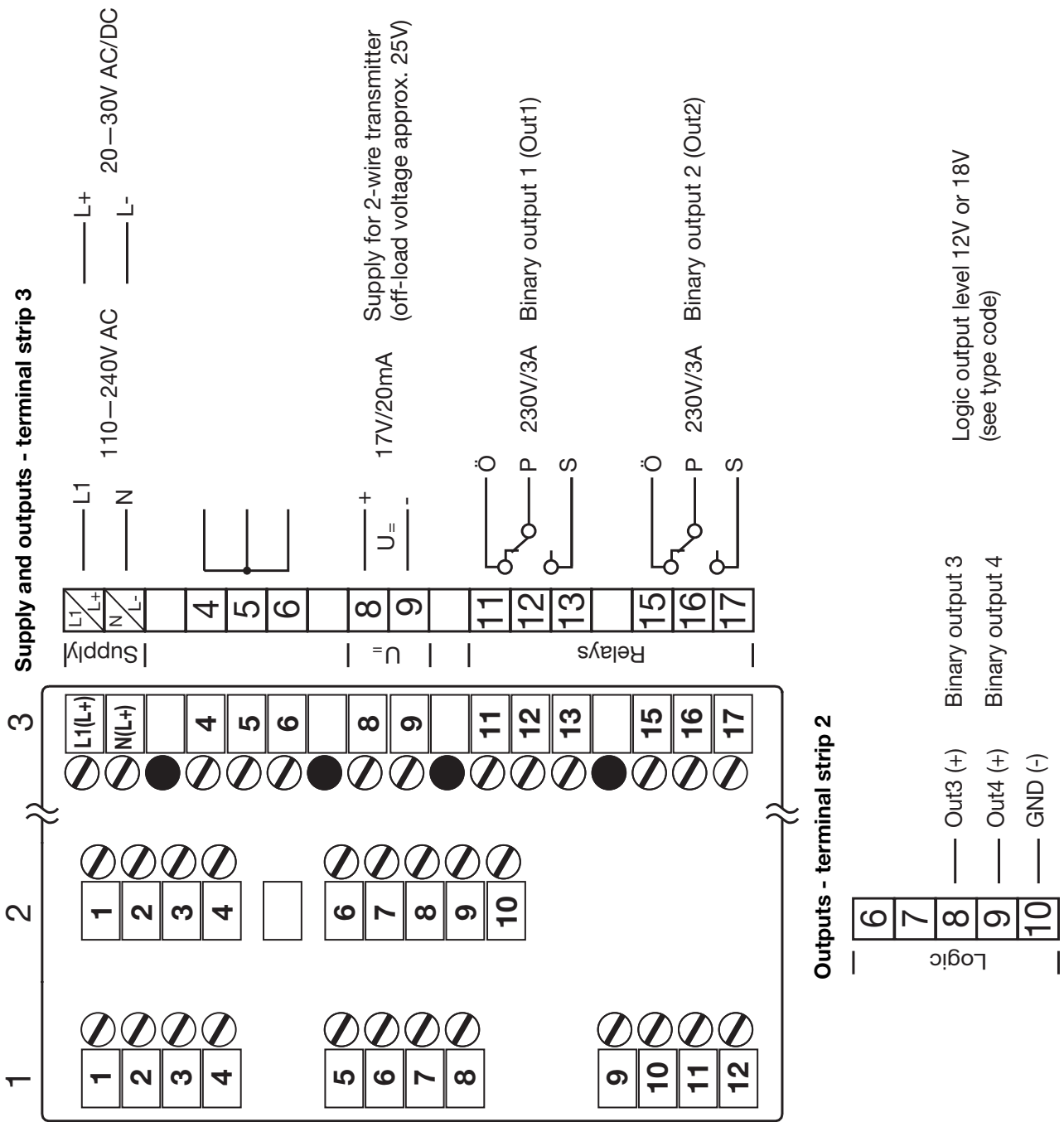
As an alternative to binary outputs 3 and 4 (configurable)!

## Analog input 2 and binary inputs 3...6 - terminal strip 1 (option boards)



# 4 Electrical connection

## 4.3.2 Type 703042/43/44



Type 703042/43/44 continued

## Outputs and interfaces - terminal strip 1 (option boards)

	Analog output	Relay (changeover)	2 relays (n.o. make)	Solid-state relay	PROFIBUS	RS422	RS485
Option 1	<p>1 .....            2 <math>\frac{+}{U_x / k}</math> -            3 Analog output 5 (Out5)</p> <p>Binary output 5 (Out5)</p>	<p>.....            VP (+5 V)            RxD/TxD-P (B)            TxD +            RxD/TxD +            DGND            TxD -            RxD/TxD -</p>	<p>.....            RxD +            RxD -            TxD +            TxD -</p>	<p>.....            RxD +            RxD -            TxD +            TxD -</p>			
Option 2	<p>5 .....            6 <math>\frac{+}{U_x / k}</math> -            7 Analog output 6 (Out6)</p> <p>Binary output 6 (Out6)</p>	<p>.....            VP (+5 V)            RxD/TxD-P (B)            TxD +            RxD/TxD +            DGND            TxD -            RxD/TxD -</p>	<p>.....            RxD +            RxD -            TxD +            TxD -</p>	<p>.....            RxD +            RxD -            TxD +            TxD -</p>			
Option 3	<p>9 .....            10 <math>\frac{+}{U_x / k}</math> -            11 Analog output 7 (Out7)</p> <p>Binary output 7 (Out7)</p>	<p>.....            VP (+5 V)            RxD/TxD-P (B)            TxD +            RxD/TxD +            DGND            TxD -            RxD/TxD -</p>	<p>.....            RxD +            RxD -            TxD +            TxD -</p>	<p>.....            RxD +            RxD -            TxD +            TxD -</p>			

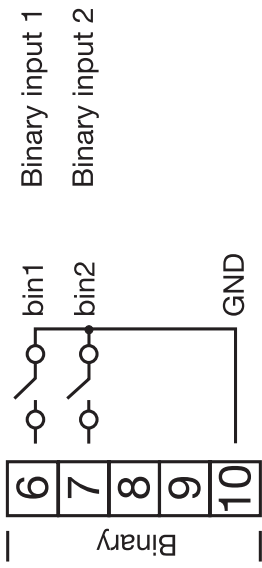
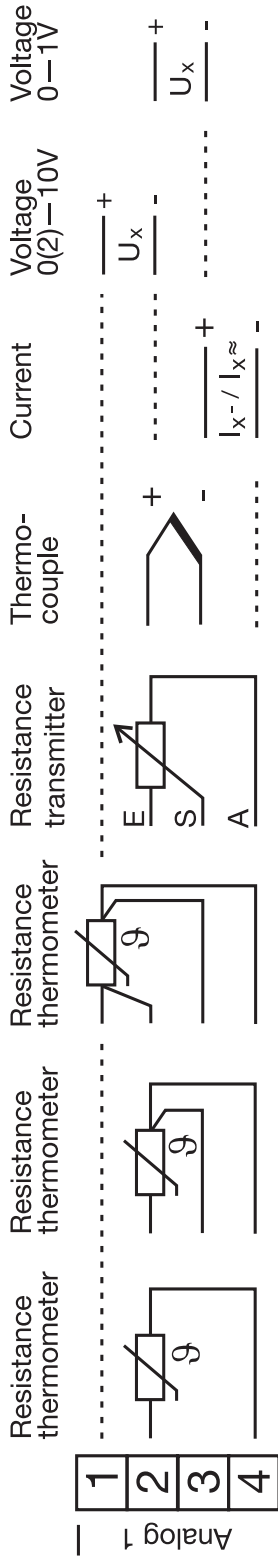
Note numbering of outputs.

⇒ Chapter 8.5 “Outputs “OutP””

# 4 Electrical connection

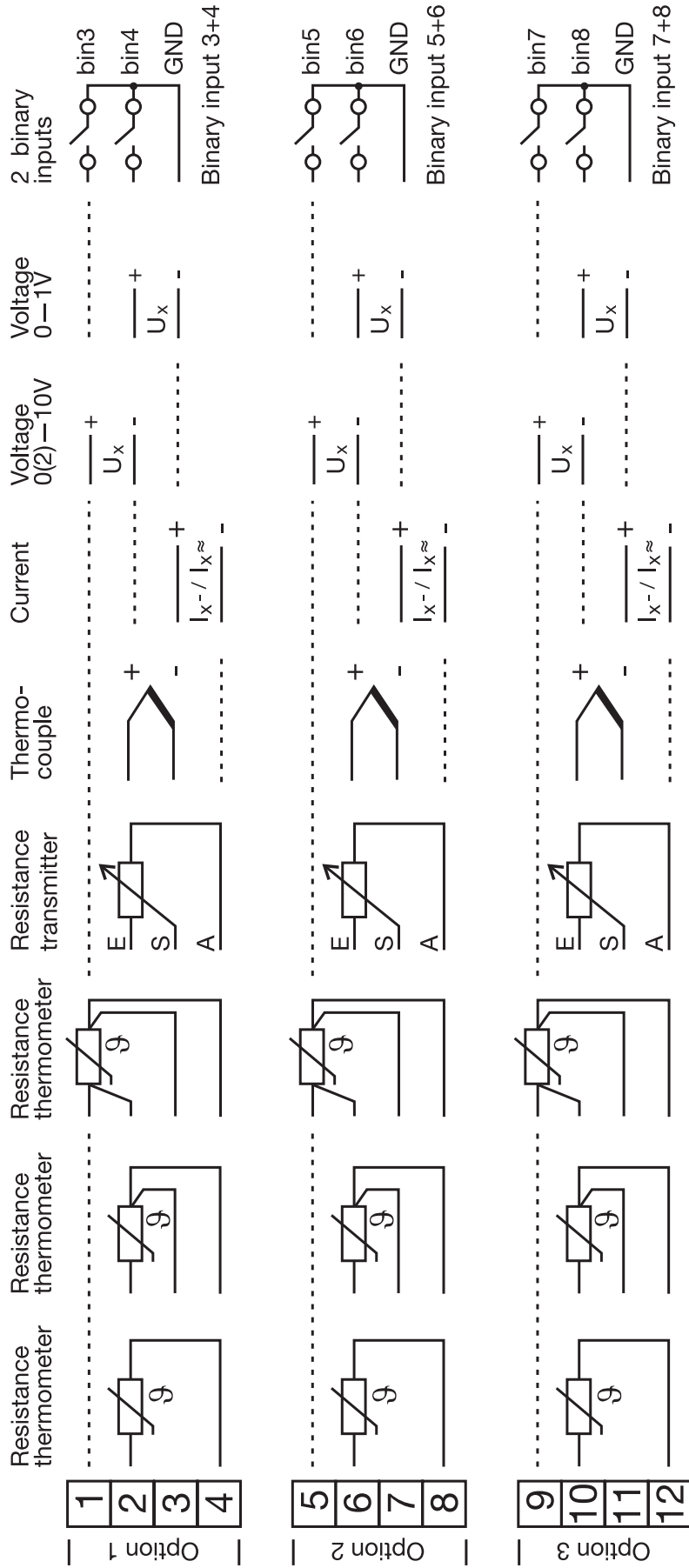
Type 703042/43/44 continued

## Analog input 1 and binary inputs 1+2 - terminal strip 2



Type 703042/43/44 continued

## Analog input 2 and binary inputs 3...8 - terminal strip 1 (option boards)

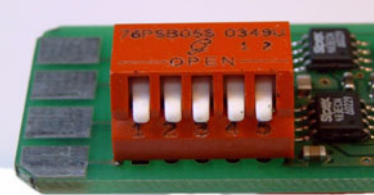
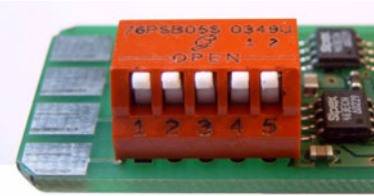


# 4 Electrical connection

## 4.3.3 Termination resistor for the RS422/485 serial interface

For fault-free operation of several devices in a line structure, their internal termination resistors must be activated at the start and end.

- \* Pull plug-in module out towards the front by pressing on the knurled areas
- \* Using a ballpoint pen, press all the white switches into the same direction

Bus termination resistor active:	<ul style="list-style-type: none"> <li>* Push all 5 switches down</li> </ul> 
No bus termination (ex-factory)	<ul style="list-style-type: none"> <li>* Push all 5 switches up</li> </ul> 

- \* Re-insert the module back into the housing

### Check

- \* Press the **PGM** + **▲** keys

To the right of the green “VERs” display, “ON” is shown for active and “OFF” for inactive termination resistors.

## 4.3.4 Connection of the PROFIBUS-DP connector

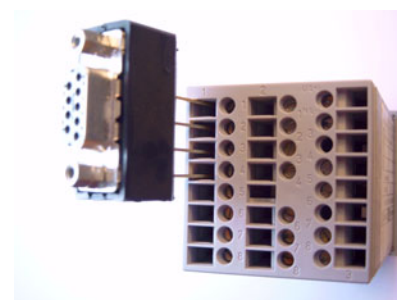
### Mounting the adapter

- \* Identify option slot with the PROFIBUS-DP interface by means of the type code (in the case of pre-configured devices)

In this example, the PROFIBUS-DP interface is in option slot 1



To fit the D-SUB adapter, open the housing of the adapter; otherwise the terminal screws are hidden by the adapter.

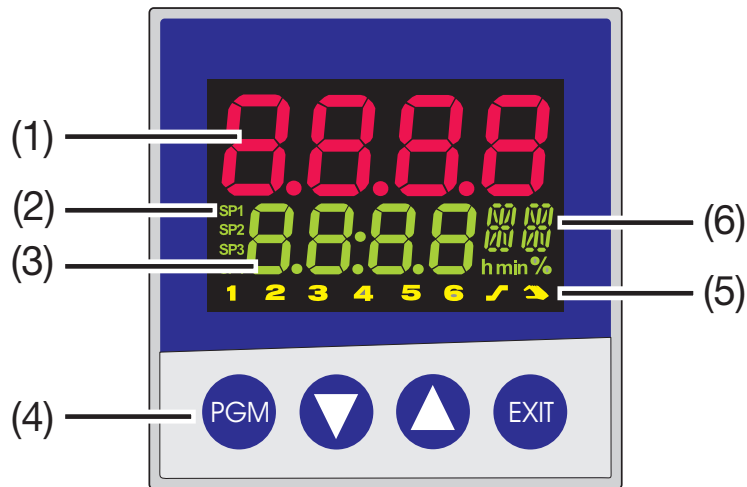


### Assignment of the 9-pole D-SUB socket

Pin: Signal	Designation
1: VP	Supply voltage positive
2: RxD/TxD-P	Receive/Transmit data positive
3: RxD/TxD-N	Receive/Transmit data negative
4: DGND	Ground



## 5.1 Displays and controls



<b>(1)</b>	<b>7-segment display</b> (factory setting: process value) four-digit, red, decimal place is configurable (automatic adjustment on display overflow)
<b>(2)</b>	<b>Active setpoint</b> (factory setting: SP1) SP1, SP2, SP3, SP4 (SP=setpoint); green;
<b>(3)</b>	<b>7-segment display</b> (factory setting: setpoint) four-digit, green; decimal place is configurable; also used for operator prompting (display of parameter and level symbols)
<b>(4)</b>	<b>Keys</b>
<b>(5)</b>	<b>Indication</b> yellow, for - switch status of binary outputs 1 – 6 (display lights up = on) - ramp/program function is active - manual operation is active
<b>(6)</b>	<b>16-segment display for the unit °C/°F and text</b> two-digit, green; configurable; symbols for h, min, %  In addition, the current segment number (program), the parameter set or any two-place letter/number combination can be displayed through the setup program.

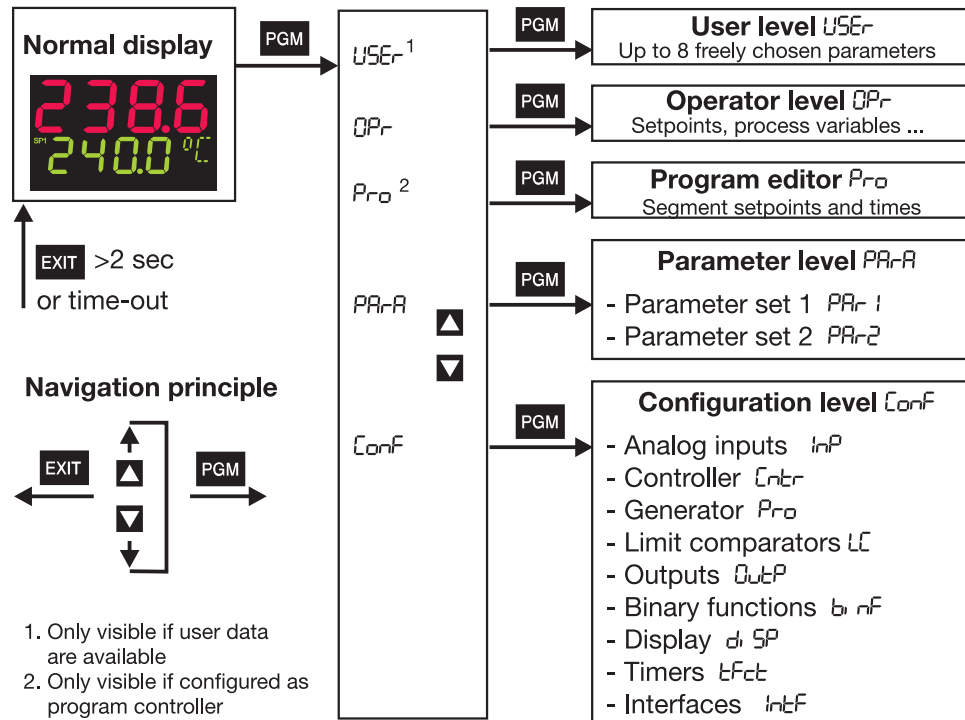
The displays are configurable.

⇒ Chapter 8.7 “Display “diSP””

# 5 Operation

## 5.2 Level concept

The parameters for making the settings on the instrument are arranged at different levels.



### Time-out

If no key is pressed for 180sec, the instrument returns to normal display.

- ⇒ Chapter 6 “Operator level”
- ⇒ Chapter 7 “Parameter level”
- ⇒ Chapter 8 “Configuration”
- ⇒ *Setup/Display - Operation/Time-out*

### User data “USER”

The setup program can be used to display and edit up to 8 freely chosen parameters at this level.

- ⇒ *Setup/Configuration level/Display - Operation/User data*

The user can assign a symbol for the representation of each parameter. Otherwise the default symbol will be used. Permissible symbols are the letters and numbers that can be presented by a 7-segment display.

## 5.3 Level inhibit

The access to the individual levels can be prevented.

Code	Operator level, user level, program editor	Parameter level	Configuration level
0	enabled	enabled	enabled
1	enabled	enabled	inhibited
2	enabled	inhibited	inhibited
3	inhibited	inhibited	inhibited

- \* Go to code entry with **PGM** and **▼** (simultaneously for >5sec).
- \* Alter code with **PGM** (display blinks!)
- \* Enter code with **▲** and **▼**. Ex-factory: all levels enabled.
- \* Return to normal display with **EXIT** or automatically after approx. 180sec

The parameter and configuration levels can also be inhibited via the binary function.

⇒ Chapter 8.6 “Binary functions “binF””

# 5 Operation

## 5.4 Entries and operator prompting

### Entering values

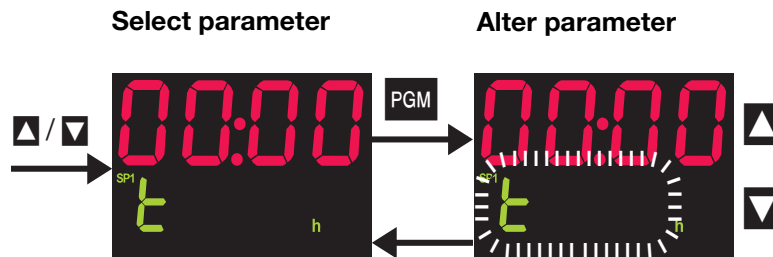
When entries are made within the levels, the parameter symbol is shown in the lower display.



- \* Select parameter with ▲ or ▼
- \* Change to entry mode with PGM (lower display blinks!)
- \* Alter value with ▲ and ▼  
The value alters dynamically with the duration of the key stroke.
- \* Accept the setting with PGM or automatically after 2sec  
or
- \* Cancel entry with EXIT.  
The value is not accepted.

### Entering times

When entering times (e.g. timer time), the time unit is shown in addition.

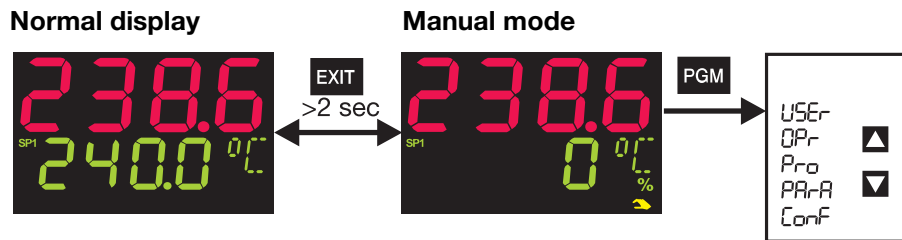


The highest time unit of the display is shown for the unit.

If, for instance, "h" is shown for the hour, then the time format for the value is hh:mm.

- \* Select parameter with ▲ or ▼
- \* Change over to the entry mode using PGM (lower display blinks!)
- \* Alter value with ▲ and ▼  
The value alters dynamically with the duration of the key stroke.
- \* Accept the setting with PGM or automatically after 2sec  
or
- \* Cancel entry with EXIT.  
The value is not accepted.

## 5.5 Fixed-setpoint controller (ex-factory)



### Altering the setpoint

In normal display:

- \* Alter the present setpoint with ▲ and ▼ (the value is accepted automatically)

### Manual mode

In manual mode, the controller output can be altered by hand.

- \* Change to manual mode with EXIT (> 2 sec)

The output appears in the lower display. The hand symbol and the unit “%” light up in addition.

- \* Alter the output with ▲ and ▼

In the case of a modulating controller, the actuator is opened or closed using the keys.

The various levels can be accessed from the manual mode.

- \* Finish manual mode with EXIT (>2 sec)

The output entry on a changeover is configurable. The manual mode can be inhibited.

⇒ Chapter 8.2 “Controller “Cntr””

Additional operating options for the fixed-setpoint controller can be implemented via the binary functions.

⇒ Chapter 8.6 “Binary functions “binF””

On overrange/underrange and probe break, the controller automatically changes over to manual mode.

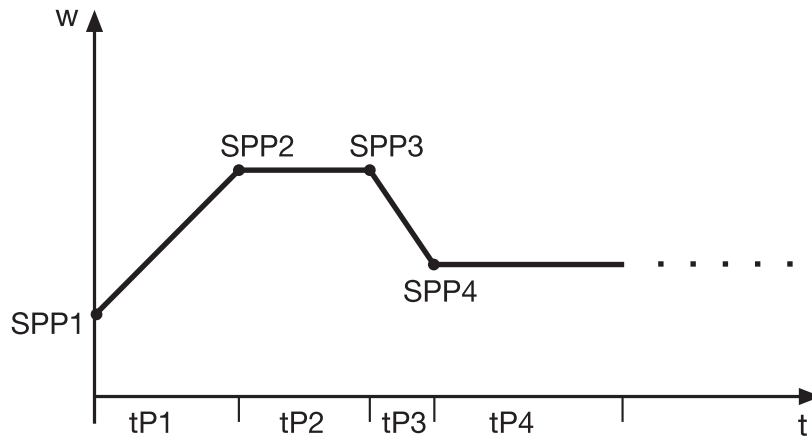
# 5 Operation

## 5.6 Program controller

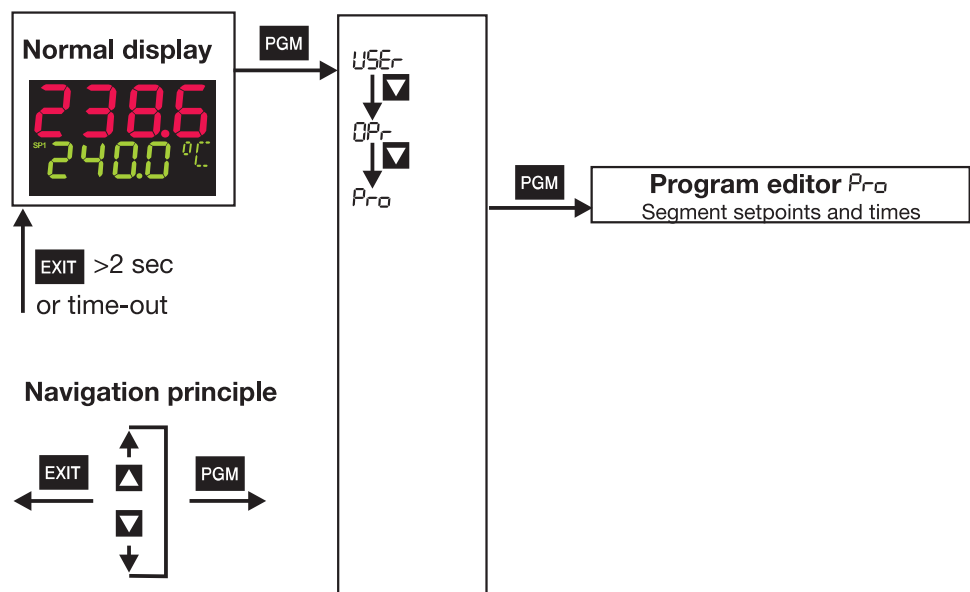
**Condition as delivered** The instrument must be configured as a program controller/generator. Furthermore, a program must be entered beforehand, to operate the instrument as a program controller/generator.

### 5.6.1 Entering programs

**Function** A setpoint profile can be implemented with a maximum of 8 program segments.

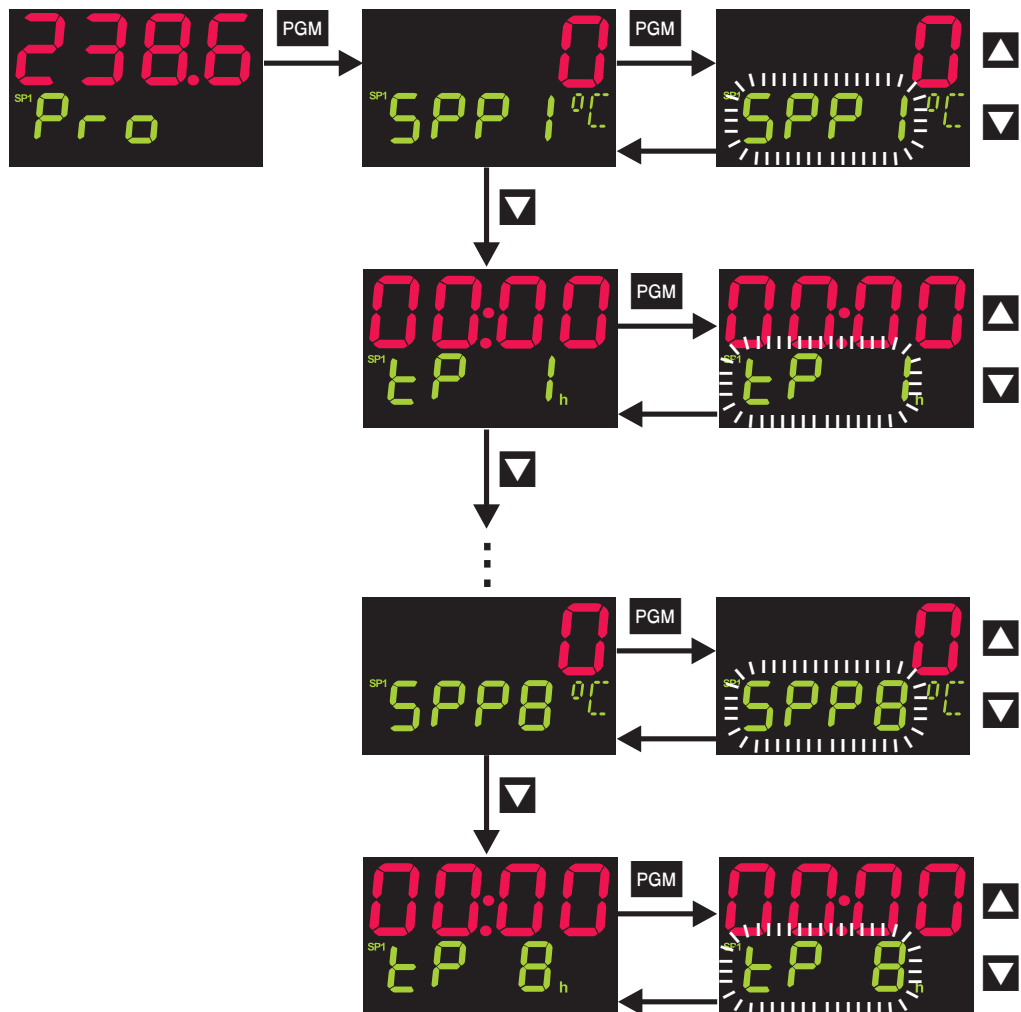


**Entry on the instrument** The instrument must be configured as a program controller/generator.  
 ⇒ Chapter 8.3 “Generator “Pro”” (Function)  
 Configurable time base: mm:ss, hh:mm und dd:hh (s=seconds, m=minutes, h=hours, d=days).  
 ⇒ Chapter 8.3 “Generator “Pro”” (unit)  
 The settings for segment setpoints (SPP1 – SPP8) and segment times (tP1 – tP8) are made in the program editor.



## 5 Operation

The program segments (up to eight) are defined by the segment setpoint and the segment time.



### Entry through setup program

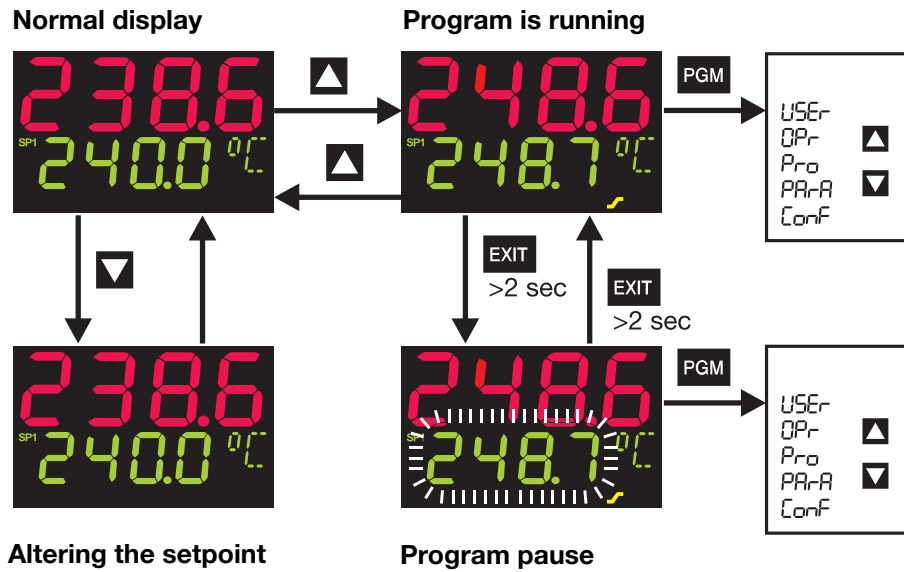
The setup program (accessory) features a user-friendly program editor, with a graphical presentation of the program profile.

### Additional functions via the setup program

- Start at the process value
- Response to over/underrange
- Repeat program
- Setpoint input (ramp/step)
- Process is controlled to the most recent setpoint
- Delay time
- Program editor/management with graphical preview
- Up to four control contacts can be programmed segment by segment
- Parameter sets can be assigned segment by segment

# 5 Operation

## 5.6.2 Operation



### Normal display

No program run in normal display, the controller controls to the selected setpoint.

### Altering the setpoint

From normal display:

- \* Change to setpoint input with ▼
- \* Alter the present setpoint with ▲ and ▼ (the value is accepted automatically)

### Starting the program

From normal display:

- \* Start program with ▲ (the ramp symbol lights up!)

A delay time can be configured through the setup program. When the delay time has elapsed, "EXIT" is shown in the lower display, and then the program is processed.

### Canceling the program

When the program is running:

- \* Cancel program with ▲

### Pausing the program

When the program is running:

- \* Pause program with EXIT (>2 sec) (the lower display blinks!)
- \* Continue with EXIT (>2 sec)

The program is canceled in the event of a power failure.

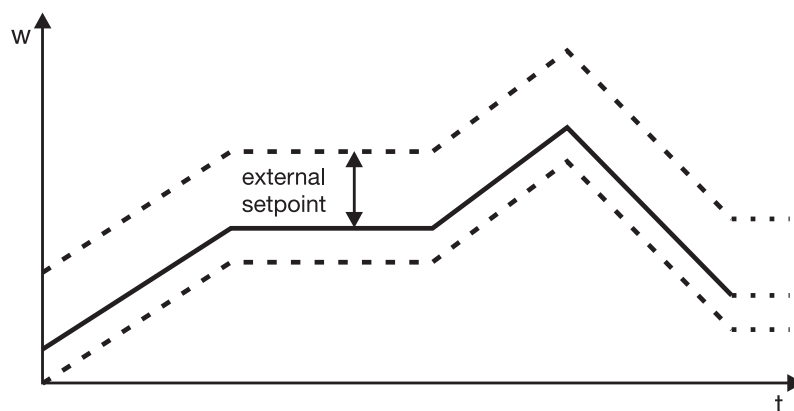
Additional program control functions via binary functions.

⇒ Chapter 8.6 "Binary functions "binF"



## 5.6.3 Shifting the program profile

The function “External setpoint with correction” can be used to shift the program profile upwards or downwards (configurable through the setup program only).



The external setpoint is defined via an analog signal.

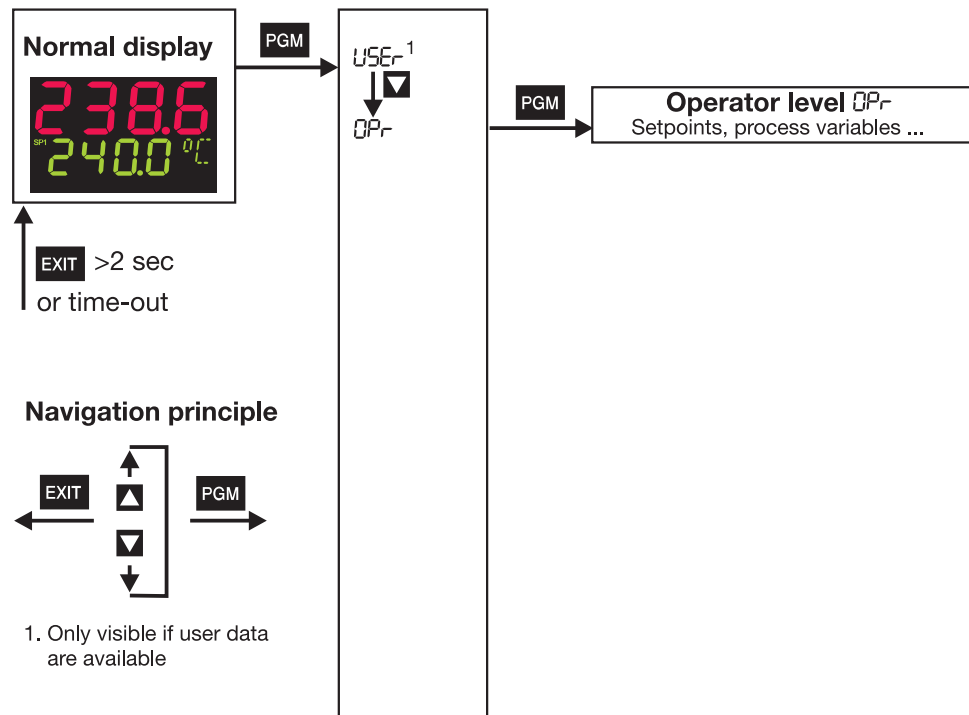
⇒ Chapter 8.2 “Controller “Cntr””

# 5 Operation

---

# 6 Operator level

## Access



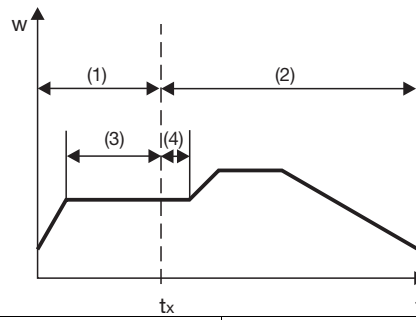
The four setpoints are displayed and edited here, and additional process variables are shown in accordance with the configuration.

Symbol	Meaning
SP 1	Setpoint 1 (editable)
SP 2	Setpoint 2 (editable)
SP 3	Setpoint 3 (editable)
SP 4	Setpoint 4 (editable)
SP_r	Ramp setpoint (only if configured)
INP 1	Measurement of analog input 1
INP 2	Measurement of analog input 2 (only if available)
F 1	Calculated result of math formula 1 (and for difference, ratio and humidity controller)
F 2	Calculated result of math formula 2 (only if available)
Y	Controller output
TRUN	Program run time (only with program controller/generator)
TRRS	Residual program time (only with program controller/generator)
T 1	Timer run time 1 (only if configured)
T 2	Timer run time 2 (only if configured)

# 6 Operator level

---

Definition of the program times



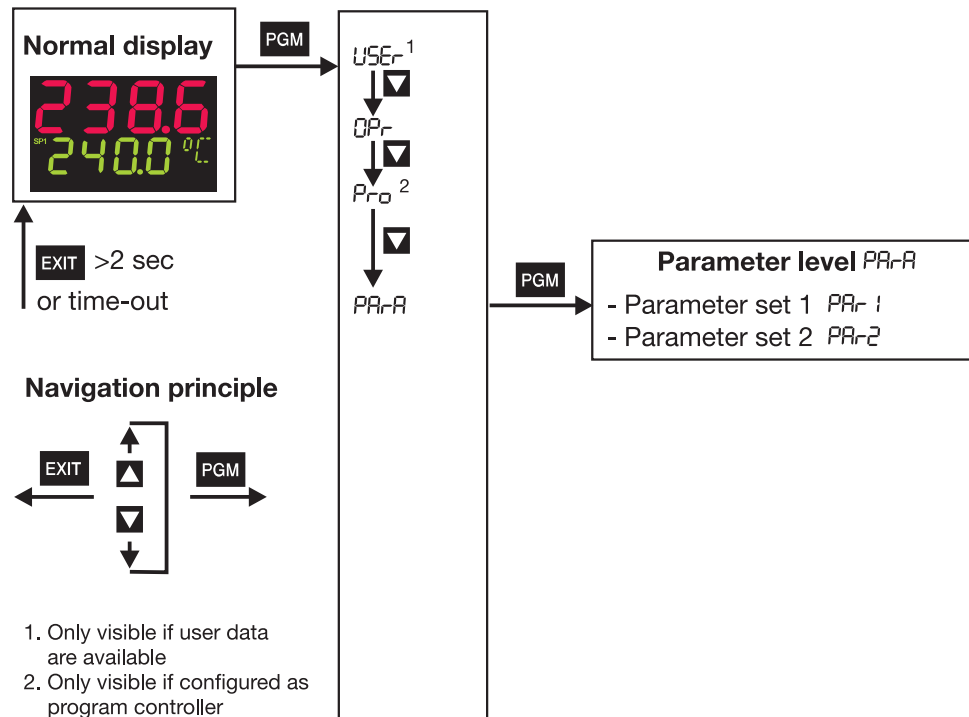
(1) Program run time	(3) Segment run time
(2) Residual program time	(4) Residual segment time

# 7 Parameter level

## General

Two parameter sets (PAR1 and PAR2) can be stored.

## Access



The level can be inhibited.

## Applications

- Parameter set switching via binary function  
⇒ Chapter 8.6 “Binary functions “binF””
- Allocating parameter sets to program segments (only through the setup program)  
⇒ *Program editor/Program*

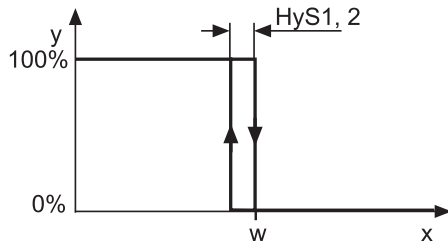
## Example

Setting a 2-state controller with PI action:

Pb1=12°C (proportional band)  
rt=160sec (reset time; I component)  
dt=0sec (derivative time, D component)

# 7 Parameter level

PARA → PAR 1 (PAR 2)

	Display	Value range	Factory setting	Description
<b>Proportional band</b>	Pb 1	0...9999	0	Size of the proportional band
	Pb 2	0...9999	0	The gain of the controller decreases with increasing proportional band. With Pb 1,2 = 0 the controller structure is ineffective (limit comparator response). Continuous controllers: Pb1,2 must be >0.
<b>Derivative time</b>	dt	0...9999 s	80 s	Influences the differential component of the controller output signal. The effect of the D component increases with increasing derivative time.
<b>Reset time</b>	rt	0...9999 s	350 s	Influences the integral component of the controller output signal. The effect of the I component decreases with increasing reset time.
<b>Cycle time</b>	Cy 1	0.0...999.9s	20 s	With a switched output, the cycle time should be chosen so that a) the pulsed energy flow to the process does not cause any impermissible PV fluctuations and b) the switching elements are not overloaded.
	Cy 2	0.0...999.9 s	20 s	
<b>Contact spacing (dead band)</b>	db	0.0...999.9	0	The spacing between the two control contacts for 3-state or modulating controllers.
<b>Switching differential</b>	HyS 1	0.0...999.9	1	Hysteresis for switching controllers with Pb1,2 = 0. 
	HyS 2	0.0...999.9	1	
<b>Actuator time</b>	tt	5...3000 s	60 s	Actuator time range used by the control valve for modulating controllers.
<b>Working point</b>	Y0	-100...+100%	0%	Output for P and PD controllers (when x = w then y = Y0).
<b>Output limiting</b>	Y 1	0...100%	100%	Maximum output limiting.
	Y 2	-100...+100 %	-100%	Minimum output limiting. (only effective with PB>0!)

The parameters Pb2, Cy2, HyS2 refer to the second controller output for a 3-state controller.

The decimal place of some parameters depends on the decimal place setting in the displays.



The parameter display on the instrument depends on the controller type selected.

⇒ Chapter 8.2 “Controller “Cntr””


# 8 Configuration

## General

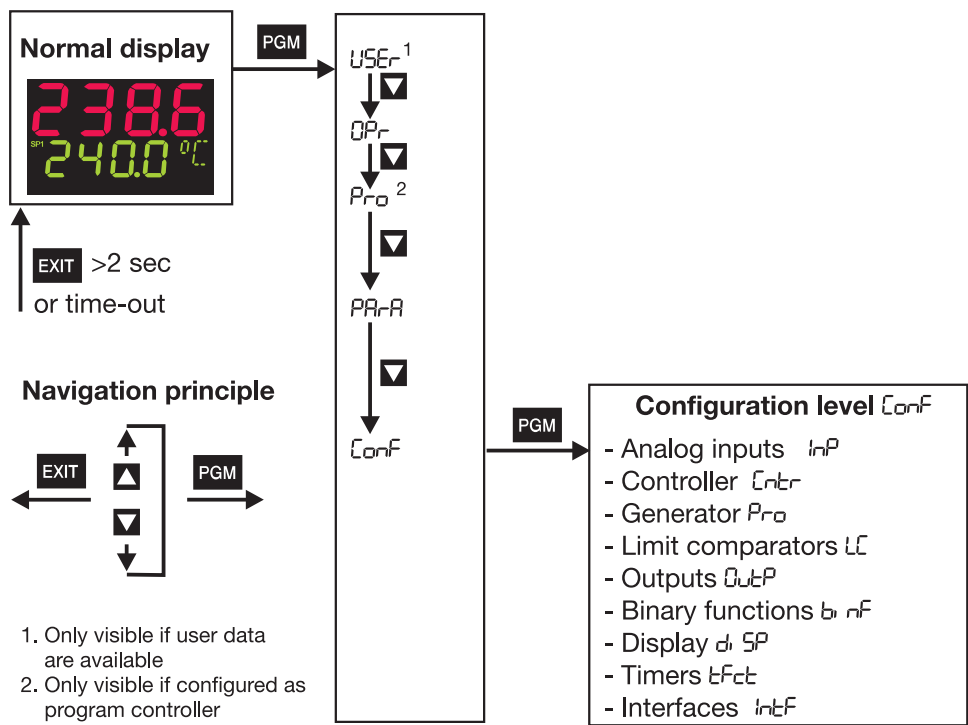
The following applies to the representation of parameters and functions at the configuration level:


The parameter is not displayed or can not be selected if

- the equipment level does not permit the function assigned to the parameter.  
Example: Analog output 2 can not be configured if analog output 2 is not implemented in the instrument.

 Some parameters can only be programmed through the setup program. These are marked in the symbol column with "(setup)".  
The symbol (appears in the display) that corresponds to the menu item is shown in the chapter headings (e.g. 8.1 Analog inputs "InP").

## Access



 Levels can be inhibited.  
⇒ Chapter 5.3 "Level inhibit"

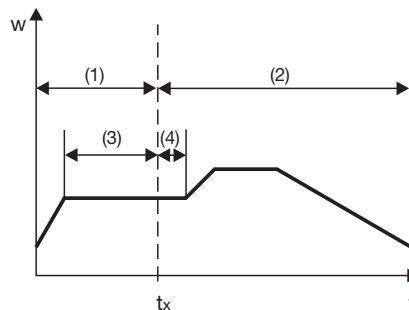
# 8 Configuration

## Analog selector

With some parameters, you can choose from a series of analog values. To provide you with an overview, this selection is listed below.

- |                            |   |
|----------------------------|---|
| 0 no function              | 21 program run time in sec              |
| 1 analog input 1           | 22 residual program time in sec         |
| 2 analog input 2           | 23 segment run time in sec              |
| 3 process value            | 24 residual segment time in sec         |
| 4 present setpoint         | 25 timer run time for timer 1 in sec    |
| 5 ramp end value           | 26 timer run time for timer 2 in sec    |
| 6 program setpoint         | 27 residual run time for timer 1 in sec |
| 7 math 1                   | 28 residual run time for timer 2 in sec |
| 8 math 2                   | 29 present segment end value            |
| 9 setpoint 1               | 30 analog marker (Profibus)             |
| 10 setpoint 2              | 31 reserved                             |
| 13 controller output level | 32 reserved                             |
| 14 controller output 1     | 33 reserved                             |
| 15 controller output 2     |   |

### Definition of the program times



(1) Program run time	(3) Segment run time
(2) Residual program time	(4) Residual segment time




## 8.1 Analog inputs “InP”

Configuration
Analog inputs
Controller
Generator
Limit comparators
Outputs
Binary functions
Display
Timer
Interfaces

InP: Analog input

Depending on the instrument version, up to two analog inputs are available.

 The approval according to DIN EN 14597 requires the usage of probes, also approved to DIN EN 14597, in the specified temperature ranges.

⇒ see data sheets T90.1006 and T90.2006

Analog input 1 InP1 →  
Analog input 2 InP2 →



	Symbol	Value/selection	Description
Sensor type	SEnS	0 1 2 3 4 5 6 7 8 9 10 11	0 no function 1 <b>Resistance thermometer in 3-wire circuit</b> 2 Resistance thermometer in 2-wire circuit 3 Resistance thermometer in 4-wire circuit 4 Thermocouple 5 Resistance transmitter 6 Heater current 0 – 50mA AC (analog input 2 only) 7 0 – 20mA 8 4 – 20mA 9 0 – 10V 10 2 – 10V 11 0 – 1V
			factory-set on analog input 2: no function
Linearization	Lin	0 1 2 3 4 5 6 7 8 9 10 11 12 13 14 15 16 17 18	0 Linear 1 <b>Pt100</b> 2 Pt500 3 Pt1000 4 KTY11-6 5 W5Re_W26Re C 6 W3Re_W25Re D 7 NiCr-Con E 8 Cu-Con T 9 Fe-Con J 10 Cu-Con U 11 Fe-Con L 12 NiCr-Ni K 13 Pt10Rh-Pt S 14 Pt13Rh-Pt R 15 Pt30Rh-Pt6Rh B 16 NiCrSi-NiSi N 17 W3Re_W26Re 18 customized linearization
			For customized linearization, a maximum of 10 knee-points can be implemented, or a 5th order polynomial function programmed (only through the setup program).  For the linearization “KTY11-6”, the resistance is 2kΩ at 25°C (only through the setup program).

Factory settings are shown **bold**.

# 8 Configuration

Analog input 1  $I_{n1}$  →

Analog input 2  $I_{n2}$  →

	Symbol	Value/selection	Description									
Measurement offset	<b>OFF5</b>	-1999... <b>0</b> ...+9999	<p>The measurement offset is used to correct a measured value by a certain amount upwards or downwards.</p> <p>Examples:</p> <table border="1"> <tr> <td>Measured value</td> <td>offset</td> <td>Displayed value</td> </tr> <tr> <td>294.7</td> <td>+0.3</td> <td>295.0</td> </tr> <tr> <td>295.3</td> <td>- 0.3</td> <td>295.0</td> </tr> </table> <p> The controller uses the corrected value (= displayed value) for its calculation. This value is not the same as the actually measured value. If incorrectly applied, this can result in impermissible values of the control variable.</p> <p>Special case: 2-wire circuit If the input is connected to a resistance thermometer in 2-wire circuit, then the lead resistance is set in ohms here.</p>	Measured value	offset	Displayed value	294.7	+0.3	295.0	295.3	- 0.3	295.0
Measured value	offset	Displayed value										
294.7	+0.3	295.0										
295.3	- 0.3	295.0										
Display start	<b>5CL</b>	-1999... <b>0</b> ...+9999	<p>On transducers with standard signal and on potentiometers, a display value is assigned to the physical signal.</p> <p>Example: 0 – 20mA <math>\triangle</math> 0 – 1500°C.</p> <p>The range of the physical signal can be 20 % wider or narrower without generating an out-of-range signal.</p>									
Display end	<b>5CH</b>	-1999... <b>100</b> ...+9999										
Filter time constant	<b>dF</b>	0... <b>0.6</b> ... 100 s	<p>To adjust the digital input filter (0sec = filter off). 63% of the alterations are acquired after 2x filter time constant at a signal step change.</p> <p>When the filter time constant is large:</p> <ul style="list-style-type: none"> <li>- high damping of disturbance signals</li> <li>- slow reaction of the process value display to process value changes</li> <li>- low limit-frequency (2nd order low-pass filter)</li> </ul>									
Fine tuning start value	<b>FES<sup>1</sup></b>	-1999... <b>0</b> ...+9999	<p>⇒ See “Customized fine tuning” on Page 43.</p> <p> If these values are altered by mistake, then this setting has to be canceled, using the procedure described under “Customized fine tuning”. These values can not be accepted by another instrument.</p>									
Fine tuning end value	<b>FEE<sup>1</sup></b>	-1999... <b>1</b> ...+9999										
Heater current monitoring (output)	<b>HEAT</b>	<b>0</b> 1...10	<p><b>No function</b> Binary output 1–10 (controller output)</p> <p>The heater current is measured via a current transformer with standard signal output and can be monitored by linking analog output 2 to limit comparator 1.</p> <p>The input signal range is 0 – 50mA AC (see probe type: “Heater current”) and must be scaled correspondingly (display start/end).</p> <p>The heater current is measured when the heating contact is closed. For this purpose, the binary output which controls the heating contact (not the binary output for the alarm) has to be selected here.</p>									
KTY correction value at 25°C	(setup)	0... <b>2000</b> ...4000 $\Omega$	Resistance at 25°C/77°F for linearization “KTY 11-6”									

Factory settings are shown **bold**.

1. Both parameters can be activated/deactivated with setup program.

## Analog inputs (general) in 12 →

Symbol	Value/selection	Description
Temperature unit	Unit	<b>0</b> deg. Celsius
		1 deg. Fahrenheit
Sampling cycle time	CYCL	0 50msec
		1 90msec
		2 150msec
		<b>3 250msec</b>
Supply frequency	(setup)	<b>50Hz</b>
		60Hz

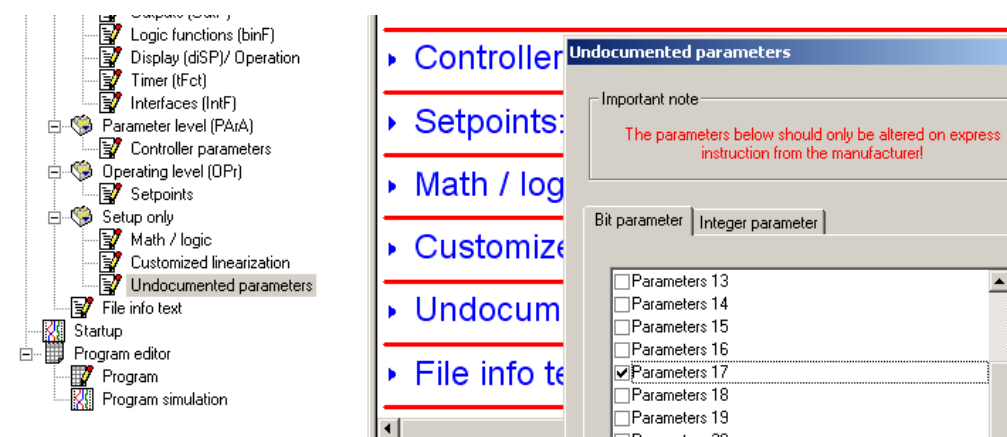
Factory settings are shown **bold**.

## 8.1.1 Customized fine tuning

### Activate FtS and FtE with setup program

Ex-factory, both parameters are not visible at the device and have to be activated first.

- \* Connect the device to the PC and start the setup program
- \* Establish a connection to the device
- \* Make a double click on *Undocumented parameters*



- \* Click on check box at *Parameter 17* (a tick shall appear)
- \* Save the setup file and execute *Data transfer to device*

Now the parameters FtS and FtE are visible in the Configuration level.

### Principle

The customised fine tuning (= fine adjustment) is used to correct the values displayed by the device. This may be necessary, for example, after a system validation, if the displayed values no longer coincide with the actual values at the point where the measurement is taken.

Using a reference measuring instrument, two measured values are determined which should be as far apart as possible (start value, end value). Ensure that the measuring conditions are stable. Enter the reference value found as the start value (FtS) or end value (FtE) on the device to be adjusted.

# 8 Configuration



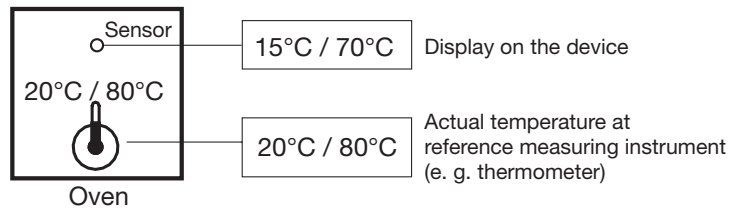
## Caution:

If start value and/or end value deviate from the factory-set values (FtS=0 and FtE=1), a fine adjustment has already been done before. In this case the fine adjustment has to be reset (see below).

Repeating fine adjustment without doing a reset before means that an already adjusted characteristic curve is used. This leads to wrong values.

## Example

The temperature inside an oven is measured with a resistance thermometer and displayed on a device. The reading on the device deviates from the actual temperature as a result of the sensor temperature drifting. At 20°C the device reads 15°C, at 80°C it shows 70°C (exaggerated example for better understanding).

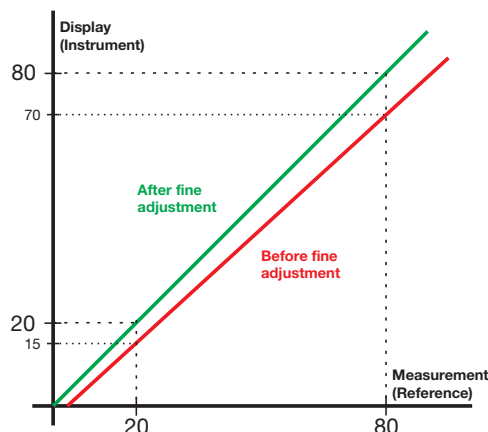


## Procedure

- \* Determine lower measurement value (as low as possible and constant) with a reference measuring instrument;  
Example: Oven temperature 20°C (= room temperature)
- \* Set start value at the device to this lower measurement value;  
Example: Set start value (FtS) to 20
- \* Increase temperature and determine higher measurement value (as high as possible and constant) with reference measuring instrument;  
Example: Increase oven temperature to 80°C
- \* Set end value at the device to this higher measurement value;  
Example: Set end value (FtE) to 80

## Characteristic curve

The following diagram shows the changes in the characteristic curve caused by the fine adjustment (point of intersection with the x axis as well as ascent)



## Special case: Offset

If the deviation between measured value and displayed value at the low and high measuring point is identical, an offset correction is sufficient (ascent remains unchanged). In this case, fine adjustment is not required.

⇒ Chapter 8.1 “Analog inputs “InP””  
Parameter OFFS

## Reset fine adjustment

In order to reset fine adjustment, the same value has to be given to start value (FtS) and end value (FtE) (e. g. set both parameters to 0). This automatically sets the start value to 0 and the end value to 1 (factory setting).

## 8.2 Controller “Cntr”

<b>Configuration</b>
Analog inputs
<b>Controller</b>
Generator
Limit comparators
Outputs
Binary functions
Display
Timer
Interfaces

Cntr: Controller

The following are set here: controller type, input variables of the controller, the setpoint limits, conditions for manual mode and the presettings for autotuning (self-optimization).

Symbol	Value/selection	Description
<b>Configuration</b>		
<b>Controller type</b>	$\text{CTYP}$	0 no function <b>1 2-state controller</b> 2 3-state controller 3 Modulating controller 4 Continuous controller
<b>Control action</b>	$\text{CACT}$	0 Direct <b>1 Inverse</b> <p>inverse: The controller output Y is &gt; 0 when the process value is smaller than the setpoint (e. g. heating).</p> <p>direct: The controller output Y is &gt; 0 when the process value is larger than the setpoint (e. g. cooling).</p>
<b>Inhibit manual mode</b>	$\text{INH}$	<b>0 enabled</b> 1 inhibited  If the manual mode is inhibited, changing over to “manual” is not possible from the keys or via the binary input.
<b>Manual output</b>	$\text{HAND}$	Defines the controller output level after changing over to manual mode. 101 = last output For modulating controller: 101 = actuator is stationary; 0 = actuator closes; 100 = actuator opens
<b>Range output</b>	$\text{ROUT}$	Output on over/underrange. 101 = last output For modulating controller: 101 = actuator is stationary; 0 = actuator closes; 100 = actuator opens
<b>Setpoint low</b>	$\text{SPL}$	<b>-1999...+9999</b> Setpoint limiting prevents the input of values outside the defined range.
<b>Setpoint high</b>	$\text{SPH}$	<b>-1999...+9999</b> The setpoint limits are not effective with setpoint input via the interface. The correction value is limited for external setpoint with correction.

Factory settings are shown **bold**.

# 8 Configuration

	Symbol	Value/selection	Description
<b>Inputs</b>			
<b>Controller process value</b>	$\overline{CPr}$	(analog selector) <b>Analog inp. 1</b>	Defines the source for the process value of the control channel.
<b>External setpoint</b>	$\overline{ESP}$	(analog selector) <b>switched off</b>	Activates the external setpoint input and defines the source for the external setpoint.  External setpoint with correction: External setpoint + setpoint 1 = present setpoint The external setpoint is corrected up or down from the keypad (setpoint 1). The display shows the present setpoint.
<b>Output feedback</b>	$\overline{FEEd}$	(analog selector) <b>switched off</b>	Defines the source for output feedback for a modulating controller. ⇒ See "Analog selector" on Page 40.
<b>Autotuning</b>			
<b>Method of tuning</b>	$\overline{tYPt}$	<b>0</b> 1	<b>Oscillation method</b> 1 Step response method ⇒ Chapter 9.1 "Autotuning (self-optimization)"
<b>Inhibit tuning</b>	$\overline{INHt}$	<b>0</b> 1	<b>enabled</b> 1 inhibited  If autotuning is inhibited, it can not be started via the keys or the binary function.
<b>Output of tuning 1</b>	$\overline{Ott1}$	<b>0</b> 1	<b>Relay</b> 1 Solid-state + logic 2 Continuous  The type of the physical output for the signal of the controller outputs 1 and 2 has to be defined.
<b>Output of tuning 2</b>	$\overline{Ott2}$	2	
<b>Controller standby output</b>	$\overline{SOUt}$	-100... <b>0</b> ...+100%	Initial output with step response
<b>Step size</b>	$\overline{StS1}$	10... <b>30</b> ... 100%	Step size with step response

Factory settings are shown **bold**.

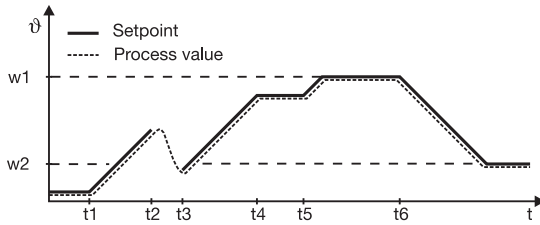

<b>Analog selector</b>	
0	no function
1	analog input 1
2	analog input 2
3	process value
4	present setpoint
5	ramp end value
6	program setpoint
7	math 1
8	math 2
9	setpoint 1
10	setpoint 2
11	setpoint 3
12	setpoint 4
13	controller output level
14	controller output 1
15	controller output 2
21	program run time in sec
22	residual program time in sec
23	segment run time in sec
24	residual segment time in sec
25	timer run time for timer 1 in sec
26	timer run time for timer 2 in sec
27	residual run time for timer 1 in sec
28	residual run time for timer 2 in sec
29	present segment end value
30	analog marker (Profibus)
31	reserved
32	reserved
33	reserved

## 8.3 Generator “Pro”

Configuration
Analog inputs
Controller
<b>Generator</b>
Limit comparators
Outputs
Binary functions
Display
Timer
Interfaces

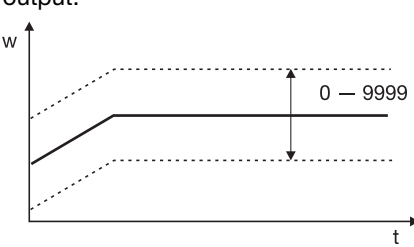
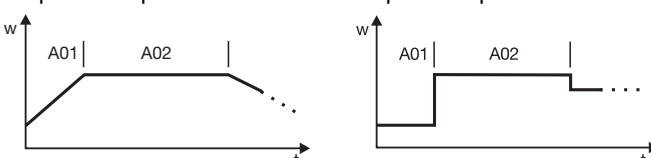
Pro: (Program) Generator

The basic function of the instrument is defined here. The instrument can be operated as a fixed-setpoint controller with or without a ramp function, or warm-up ramp for hot-channel equipment, program controller or program generator.

Symbol	Value/selection	Description
<b>General</b>		
Function	<i>Funct</i>	<p><b>0</b> Fixed-setpoint controller  <b>1</b> Ramp function  <b>2</b> Program controller  <b>3</b> Program generator  <b>4</b> Hot-channel controller</p> <p>Ramp function:            A rising or a falling ramp function can be implemented. The ramp end value is determined by the setpoint input and can be altered from the ▲ and ▼ keys, just as for a fixed-setpoint controller.</p>  <p>t1 Power on (w1 aktiv)            t2...t3 Power failure / manual operation / probe break            t4...t5 Ramp stop            t6 Setpoint changeover to w2</p> <p>The ramp function can be paused or canceled via the binary functions.            ⇒ Chapter 8.6 “Binary functions “binF””</p> <p> The ramp function is interrupted on a probe break, or for manual mode. The outputs react as for overrange/underrange (configurable).</p> <p>Program generator:            Is used, for instance, to output the setpoint profile via a continuous output without a control function. Settings for the program generator are not evaluated with regard to the process value (e. g. start at process value, continue, tolerance band).</p>

Factory settings are shown **bold**.

# 8 Configuration

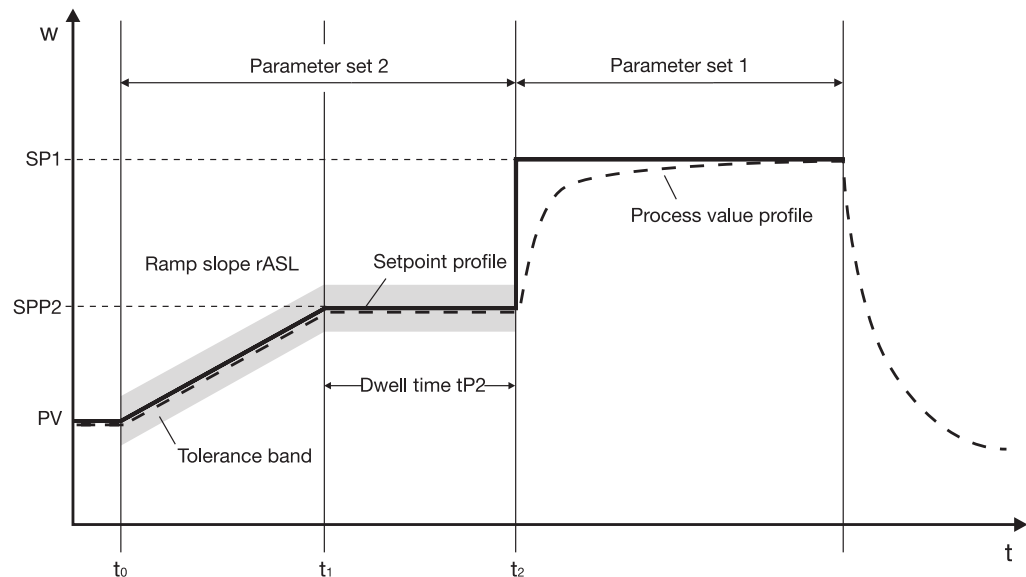
	Symbol	Value/selection	Description
Unit of slope	Unit	<b>0</b> 1 2	<b>Ramp function</b> <b>Program</b> <b>mm:ss</b> hh:mm dd:hh  s=seconds; m=minutes; h=hours; d=days  Unit of ramp slope in °C per time unit, or format of segment times for program controller/generator.
Ramp slope	rASL	0...9999	Value of slope for ramp function
Tolerance band	toLP	0...999	0=off For a program controller/generator and ramp function, the process value can be monitored by applying a tolerance band around the setpoint profile. If the upper or lower limit is infringed, a tolerance limit signal is generated, which is internally processed or produced via an output.   0 = switched off Processing the tolerance limit signal, see: ⇒ Chapter 8.5 "Outputs "OutP"" ⇒ Chapter 8.6 "Binary functions "binF""
<b>Program</b>			
Program start	(setup)	<b>Program start</b> start at the process value	Defines whether the program starts with the first program setpoint or whether the present process value is accepted as the first program setpoint.
Range response	(setup)	<b>Continue</b> pause program	Defines the response to over/underrange
Response to power-on	(setup)	<b>No start</b> automatic start	Defines whether the program starts on connecting the supply voltage.
Program repeat	(setup)	<b>none</b> cyclic	The "Cyclic" setting has the effect of continuously repeating the program.
Setpoint input	(setup)	<b>Ramp</b> Step	Setpoint ramp Setpoint step 
Control to the most recent setpoint	(setup)	<b>inactive</b> active	If active, the process is controlled to the most recent program setpoint after the program has ended.
Delay time	(setup)	0...9999 min	Delays the program start by an adjustable time.  "Start" is shown in the lower display.
<b>Basic status</b>			
Control contacts	(setup)	SK1 SK2 SK3 SK4	The four control contacts can be activated in the basic status (when the program is not running).

Factory settings are shown **bold**.



## Hot-channel controller

The warm-up ramp for hot-channel equipment is used, for example, for the gentle operation of ceramic heater elements. Damage can be avoided by allowing moisture to evaporate slowly from the hygroscopic heater elements during the warm-up phase ( $t_0 - t_2$ ).



The present setpoint is accepted as the start value for the ramp at time  $t_0$ . Within the time period  $t_0 - t_1$ , the programmed ramp slope  $rASL$  is used to approach the hold setpoint  $SPP2$ . Within this period, the ramp setpoint is increased linearly. This is followed by the programmable dwell time  $tP2$  ( $t_1 - t_2$ ), after which the process is controlled to the present setpoint (factory setting: setpoint 1 ( $SP1$ )).


The hot-channel function, with the settings for the ramp function and the program, is implemented through the setup program.

Relevant settings:

### Setup/Generator/General

- Ramp slope  $rASL$  with time unit
- Tolerance band (optional)

### Setup/Generator/Program

- Configure program start to "Start at process value"
- Define response after power-on; the warm-up ramp either starts automatically when switching on the supply voltage, or by pressing the  key.

### Setup/Parameter level/Controller parameters

- Output limiting for parameter sets 1 and 2 (optional)

### Setup/Program editor/Program

- Set parameter set 2 for segment 1 (segment setpoint and time are not taken into account)
- Configure segment 2 with segment setpoint (= hold setpoint  $SPP2$ ), segment time (= dwell time  $tP2$ ) and parameter set 2

### Setup/Display - Operation/ User data

- Relevant parameters can optionally be placed in the user data (operator level)

# 8 Configuration

## 8.4 Limit comparators “LC”

Configuration
Analog inputs
Controller
Generator
<b>Limit comparators</b>
Outputs
Binary functions
Display
Timer
Interfaces

LC: Limit comparator

Limit comparators (threshold monitors, limit contacts) can be used to monitor an input variable (process value for the limit comparator) against a fixed limit or another variable (the setpoint for the limit comparator). When a limit is exceeded, a signal can be output or an internal controller function initiated.

4 limit comparators are available.

### Limit comparator functions (Ik)

Limit comparators can have different switching functions.

The hysteresis functions “asymmetrical, left” and “asymmetrical, right” can only be set through the setup program. The “symmetrical” hysteresis function is used as standard.

	<b>Hysteresis function</b>		
	<b>asymmetrical, left</b>	<b>symmetrical</b>	<b>asymmetrical, right</b>
<b>Ik1</b>			
<b>Ik2</b>			
<b>Ik3</b>			
<b>Ik4</b>			
<b>Ik5</b>			
<b>Ik6</b>			

# 8 Configuration

In the case of the limit comparator functions Ik7 and Ik8, the measurement that is set is monitored with respect to a fixed value AL.

		<b>Hysteresis function</b>		
		<b>asymmetrical, left</b>	<b>symmetrical</b>	<b>asymmetrical, right</b>
<b>Ik7</b>				
<b>Ik8</b>				

**Limit comparator 1** LC1 →

**Limit comparator 2** LC2 →

**Limit comparator 3** LC3 →

**Limit comparator 4** LC4 →

Function	Symbol	Value/selection	Description
Function	<b>Fncf</b>	<b>0</b>	<b>no function</b>
		1	Ik1
		2	Ik2
		3	Ik3
		4	Ik4
		5	Ik5
		6	Ik6
		7	Ik7
8	Ik8		
Limit value	<b>AL</b>	-1999... <b>0</b> ...+9999	Limit value to be monitored Limit range for Ik1 and Ik2: 0 — 9999
Switching differential	<b>HYSf</b>	0... <b>1</b> ...9999	Switching differential

Factory settings are shown **bold**.

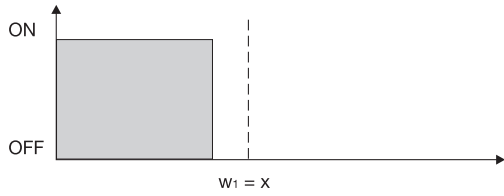
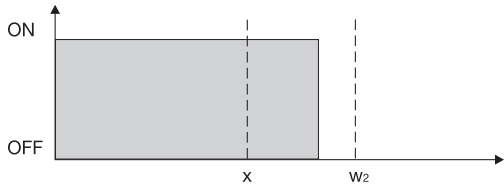
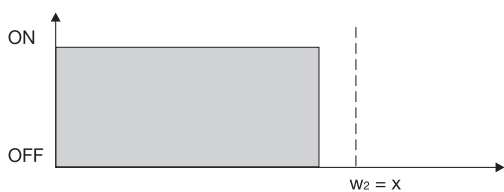
# 8 Configuration

Limit comparator 1 LC1 →

Limit comparator 2 LC2 →

Limit comparator 3 LC3 →

Limit comparator 4 LC4 →

Symbol	Value/selection	Description			
Action/ range response	ACRA	<p><b>0</b> absolute/off</p> <p>1 relative/off</p> <p>2 absolute/on</p> <p>3 relative/on</p> <p>Defines the switching action of the limit comparators and the switch status for an overrange or underrange.</p> <p>Action: Defines the switching action of the limit comparators on a setpoint change or power-on.</p> <p>absolute: At the time of alteration, the limit comparator acts according to its function.</p> <p>relative: The limit comparator is in the OFF status. An alteration of the limit value or the (limit comparator) setpoint could cause the limit comparator to switch ON. Such a reaction will be suppressed, and this condition is maintained until the (limit comparator) process value has <b>moved out of</b> the switch-on region (gray area).</p> <p>Example: Monitoring the (controller) process value x with function lk4 Setpoint alteration <math>w_1 \rightarrow w_2</math></p> <p>a) Initial condition</p>  <p>b) Condition at the time of the alteration The limit comparator remains OFF, although the process value is within the switch-on region.</p>  <p>c) Stabilized condition The limit comparator again operates in accordance with its function.</p>  <p>This function also prevents a limit comparator from being triggered during the approach phase.</p>			
		Switch-on delay	tOn	<b>0</b> ...9999	Delays the switch-on edge by a definable time period
		Switch-off delay	tOFF	<b>0</b> ...9999s	Delays the switch-off edge by a definable time period

Factory settings are shown **bold**.

# 8 Configuration

*Limit comparator 1* LC1 →  
*Limit comparator 2* LC2 →  
*Limit comparator 3* LC3 →  
*Limit comparator 4* LC4 →

	Symbol	Value/selection	Description
<b>Acknowledgement</b>	ACKL	0 1 2	<b>no acknowledgement</b> 1 acknowledgement; only with inactive limit comparator 2 acknowledgement; always possible  For settings with acknowledgement, the limit comparator is latching, which means it remains ON, even when the switch-on condition is no longer present. The limit comparator must be reset via the ▼ + EXIT keys or binary signal.
<b>Pulse time</b>	TPUL	0...9999s	The limit comparator is automatically reset after an adjustable time period.
<b>Limit comparator PV</b>	LCPr	(analog selector) <b>process value</b>	see circuit diagrams
<b>Limit comparator SP</b>	LCSP	(analog selector) <b>present setpoint</b>	see circuit diagrams (only with Ik1 – Ik6)
<b>Hysteresis function</b>	(setup)	<b>symmetrical</b> asymmetrical, left asymmetrical, right	see circuit diagrams ⇒ Chapter 12.2 “Alarm messages”

Factory settings are shown **bold**.

<b>Analog selector</b>		
0	no function	21 program run time in sec
1	analog input 1	22 residual program time in sec
2	analog input 2	23 segment run time in sec
3	process value	24 residual segment time in sec
4	present setpoint	25 timer run time for timer 1 in sec
5	ramp end value	26 timer run time for timer 2 in sec
6	program setpoint	27 residual run time for timer 1 in sec
7	math 1	28 residual run time for timer 2 in sec
8	math 2	29 present segment end value
9	setpoint 1	30 analog marker (Profibus)
10	setpoint 2	31 reserved
11	setpoint 3	32 reserved
12	setpoint 4	33 reserved
13	controller output level	
14	controller output 1	
15	controller output 2	

# 8 Configuration

## 8.5 Outputs “OutP”

Configuration
Analog inputs
Controller
Generator
Limit comparators
<b>Outputs</b>
Binary functions
Display
Timer
Interfaces

OutP: Outputs

Configuration of the instrument outputs are subdivided into analog outputs (OutA; max. 2) and binary outputs (OutL; max. 9). Binary outputs are relay, solid-state relay and logic outputs. Display and numbering of the outputs depends on the assignment of the option slots.

The switching states of the binary outputs 1 – 6 are shown in the display.

### Numbering of the outputs

Standard for all instrument versions:

- (Binary) output 1 (Out1) = relay
- (Binary) output 2 (Out2) = relay
- (Binary) output 3 (Out3) = logic output
- (Binary) output 4 (Out4) = logic output

Extended numbering for the option slots:

Slot	Plug-in board with 1 analog output	Plug-in board with 1 binary output (relay or solid-state relay)	Plug-in board with 2 binary outputs (2 relays)
Option 1	Output 5 (Out5)	Output 5 (Out5)	Output 5+8 (Out5/Out8)
Option 2	Output 6 (Out6)	Output 6 (Out6)	Output 6+9 (Out6/Out9)
Option 3	Output 7 (Out7)	Output 7 (Out7)	Output 7+10 (Out7/Out0)

### Binary outputs OutL



Binary output 1  
...  
Binary output 10

Symbol	Value/selection	Description
Out 1	0	<b>no function</b>
	1	<b>Controller output 1</b> (ex-factory with Out1)
...	2	Controller output 2
	5	Binary input 1
Out 0	6	Binary input 2
	7	Binary input 3
	8	Binary input 4
	9	Binary input 5
	10	Binary input 6
	11	Binary input 7
	12	Binary input 8
	13	Limit comparator 1
	14	Limit comparator 2
	15	Limit comparator 3
	16	Limit comparator 4
	17	Control contact 1
	18	Control contact 2
	19	Control contact 3
	20	Control contact 4
	21	Logic formula 1
	22	Logic formula 2
	23	Timer 1 active
	24	Timer 2 active
	25	Program active
	26	Program end signal
	27	Tolerance limit signal
	28	Manual mode on/off
	29	Binary marker
	30	Any binary value from storage address (only through setup)
	31	always active

Factory settings are shown **bold**.

# 8 Configuration

Analog outputs  $OutA \rightarrow$  **Output 5**  $Out5 \rightarrow$   
**Output 6**  $Out6 \rightarrow$   
**Output 7**  $Out7 \rightarrow$

	Symbol	Value/selection	Description									
Function	$Funct$	(analog selector) <b>switched off</b>	Function of the output									
Type of signal	$S, Sn$		Physical output signal 0 0 – 10V 1 2 – 10V <b>2 0 – 20mA</b> 3 4 – 20mA									
Range output	$rOut$	0...101%	Signal on going above/below range 101 = last output signal   If the output is a controller output, the controller switches over to manual mode and produces the output level defined in chapter "Controller Cntr" under rOut. Chapter 8.2 "Controller "Cntr""									
Zero point	$OPnt$	-1999...0...+9999	A physical output signal is assigned to the value range of an output variable.									
End value	$End$	-1999... <b>100</b> ...+9999	Ex-factory, the setting corresponds to an output level of 0 – 100% for controller outputs. No changes of the ex-factory setting are required for <b>continous controllers</b> with only one output.   <b>Setting for controller outputs for cooling</b> With 3-state controllers, the following settings must be predefined: zero: 0 / end value: -100  Example (function as a transducer): An analog output (0 – 20mA) is to be used to put out the process value (value range 150 to 500 °C), that means: 150 to 500°C $\triangle$ 0 – 20mA; Zero point: 150 / End value: 500									
Offset	(setup)	-1999...0...+9999	The offset is used to correct the output signal by a certain amount upwards or downwards.  Examples: <table border="1"> <thead> <tr> <th>Original value</th> <th>Offset</th> <th>Output value</th> </tr> </thead> <tbody> <tr> <td>294.7</td> <td>+0.3</td> <td>295.0</td> </tr> <tr> <td>295.3</td> <td>- 0.3</td> <td>295.0</td> </tr> </tbody> </table>	Original value	Offset	Output value	294.7	+0.3	295.0	295.3	- 0.3	295.0
Original value	Offset	Output value										
294.7	+0.3	295.0										
295.3	- 0.3	295.0										

Factory settings are shown **bold**.

## Analog selector

0	no function	21	program run time in sec
1	analog input 1	22	residual program time in sec
2	analog input 2	23	segment run time in sec
3	process value	24	residual segment time in sec
4	present setpoint	25	timer run time for timer 1 in sec
5	ramp end value	26	timer run time for timer 2 in sec
6	program setpoint	27	residual run time for timer 1 in sec
7	math 1	28	residual run time for timer 2 in sec
8	math 2	29	present segment end value
9	setpoint 1	30	analog marker (Profibus)
10	setpoint 2	31	reserved
11	setpoint 3	32	reserved
12	setpoint 4	33	reserved
13	controller output level		
14	controller output 1		
15	controller output 2		

# 8 Configuration

## 8.6 Binary functions “binF”

<b>Configuration</b>
Analog inputs
Controller
Generator
Limit comparators
Outputs
<b>Binary functions</b>
Display
Timer
Interfaces

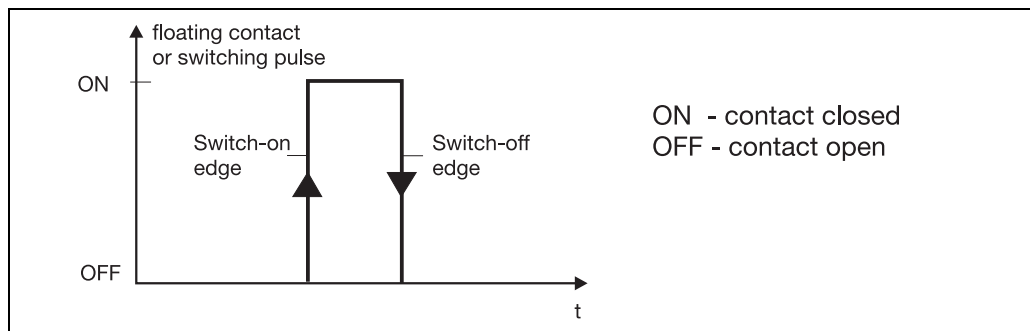
binF: Binary functions

Functions are assigned here to the binary signals of the binary inputs and limit comparators.

In addition, the functions for control contacts, tolerance limit signal and program end signal are defined for program controllers/generators.

In the case of a fixed-setpoint controller, functions can be assigned to the ramp end signals.

### Switching action



The functions are arranged in two groups:

### Edge-triggered functions

The binary function reacts to switch-on edges.

The following functions are edge-triggered:

- Start/stop of autotuning
- Acknowledge limit comparators
- Program start/cancel
- Start timer
- Segment change

### State-triggered functions

The binary function reacts to switch-on or switch-off states.

- All remaining functions



# 8 Configuration

	Symbol	Value/selection	Description
Binary input 1	<i>bin1</i>	<b>0</b>	<b>no function</b>
...		1	Start autotuning
		2	Cancel autotuning
Binary input 8	<i>bin8</i>	3	Change to manual mode
Limit comparator 1	<i>LC1</i>	4	Controller off (controller outputs are switched off)
...		5	Inhibit manual mode
		6	Hold ramp
Limit comparator 4	<i>LC4</i>	7	Cancel ramp
		8	Setpoint changeover
		9	Parameter set switching
Timer 1	<i>TF1</i>	10	Key inhibit
		11	Level inhibit
Timer 2	<i>TF2</i>	12	Display "off" with key inhibit
		13	Acknowledge limit comparators
Logic 1	<i>Lo1</i>	14	Inhibit program start
		15	Start program
Logic 2	<i>Lo2</i>	16	Pause program
		17	Cancel program
Control contact 1	<i>CC1</i>	18	Segment change
...		19	Start timer 1
		20	Start timer 2
Control contact 4	<i>CC4</i>	21	Cancel timer 1
		22	Cancel timer 2
Tolerance limit signal	<i>tolS</i>		Level inhibit: The parameter and configuration levels are inhibited. In addition, the start of autotuning is inhibited.
Program end signal	<i>PRE5</i>		Program end signal: The signal is active after approx. 1 second (pulse). For longer signals, the program end signal can be used to start a timer.  Text display: If the binary function is active, a configurable text is shown in the lower display. The text can be uniquely defined (only through the setup program).  Type 703041: The settings for the binary inputs 1+2 have priority over those for the logic outputs.

Factory settings are shown **bold**.

## Setpoint and parameter set switching

A binary function can be used to switch between setpoint 1 and setpoint 2 or parameter set 1 and parameter set 2.

Setpoint switching	Parameter set switching	Binary signal
Setpoint 1 active	Parameter set 1 active	0/contact open
Setpoint 2 active	Parameter set 2 active	1/contact closed

In order to switch between the four possible setpoints, two binary functions must be configured to "setpoint switching". The states of the two binary functions are designated Z1 and Z2 and switch the setpoints over as shown in the table below:

Setpoint	Z2	Z1
Setpoint 1	0	0
Setpoint 2	0	1
Setpoint 3	1	0
Setpoint 4	1	1

0 = contact open /OFF

1 = contact closed /ON

# 8 Configuration

The states Z1 and Z2 are assigned to the binary functions in descending order (see list on the right), i. e. the first binary function selected in the list is Z1.

Control variable	State
Binary input 1	
...	
Binary input 8	
Limit comparator 1	
...	
Limit comparator 4	
Timer 1	Z1
Timer 2	Z2
Logic formula 1	
Logic formula 2	
Control contact 1*	
...	
Control contact 4*	
Tolerance limit signal*	
Program end signal*	

\* only for program controller/generator

Example:

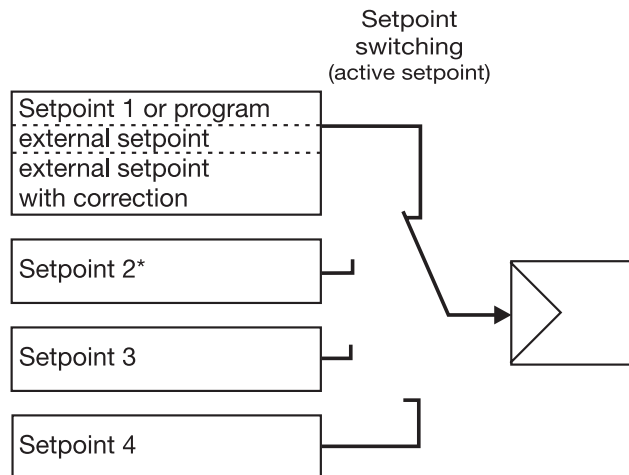
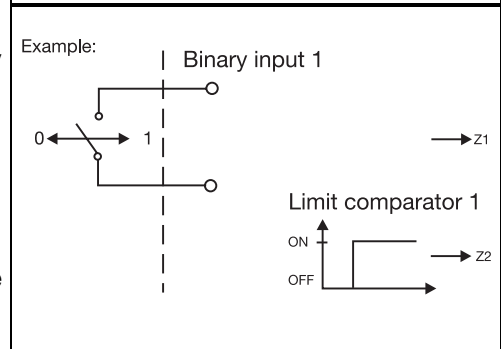
The setpoint is to be selected via a binary input and the state of one limit comparator.

This results in the following assignment:

- Z1 - binary input 1
- Z2 - limit comparator 1

The binary function for the binary input 1 and limit comparator 1 have to be configured to “setpoint switching”

Depending on the further configuration, the following diagram applies:



\* An exception to this is the configuration for a program controller with external setpoint input, with or without correction. Setpoint 2 is the program setpoint in this case.

## Additional functions via the setup program

Several binary functions can be combined through the setup program. In addition, the binary function “Text display” can be implemented. This is used to show a letter combination in the lower display.

## 8.7 Display “diSP”

Configuration
Analog inputs
Controller
Generator
Limit comparators
Outputs
Binary functions
<b>Display</b>
Timer
Interfaces

diSP: Display

The values displayed can be matched to the existing requirements. Furthermore, time-out and level inhibit can be configured here.

	Symbol	Value/selection	Description
<b>General</b>			
<b>Upper display</b>	$d, SU$	(analog selector) <b>process value</b>	Displayed value for the upper display
<b>Lower display</b>	$d, SL$	(analog selector) <b>present setpoint</b>	Displayed value for the lower display
<b>Decimal point</b>	$dEcP$	<b>0</b> 1 2	<b>no decimal place</b> one decimal place two decimal places  If the value that is to be displayed can no longer be represented with the programmed decimal point, then the number of decimal places will be automatically reduced. If, subsequently, the measured value decreases, the number increases to the programmed value of the decimal point.
<b>16-segment display</b>	$d, SE$	<b>0</b> <b>1 Unit (°C or °F)</b> 2 3 4	Displayed value for the two-digit 16-segment display  switched off current segment current parameter set text (only setup program)
<b>Brightness</b>	(setup)	<b>0...5</b>	(bright) 0 – 5 (dark)
<b>Time-out</b>	(setup)	0... <b>180</b> ...255s	Time period, after which the instrument automatically returns to normal display if no key is pressed.
<b>Level inhibit</b>	(setup)	<b>none</b> configuration level parameter/ configuration level operator/ parameter/ configuration level	The access to the individual levels can be inhibited.  The setting is independent of the binary function “level inhibit”.  Inhibiting the parameter level will, at the same time, also inhibit the start of autotuning.
<b>User data (setup program)</b>			
Up to eight parameters from different levels can be shown under User data (operator level) on the instrument and edited. The symbols for these parameters (shown in the lower display) must be assigned by the user himself.			

Factory settings are shown **bold**.

# 8 Configuration

---

<b>Analog selector</b>	0	no function	21	program run time in sec
	1	analog input 1	22	residual program time in sec
	2	analog input 2	23	segment run time in sec
	3	process value	24	residual segment time in sec
	4	present setpoint	25	timer run time for timer 1 in sec
	5	ramp end value	26	timer run time for timer 2 in sec
	6	program setpoint	27	residual run time for timer 1 in sec
	7	math 1	28	residual run time for timer 2 in sec
	8	math 2	29	present segment end value
	9	setpoint 1	30	analog marker (Profibus)
	10	setpoint 2	31	reserved
	11	setpoint 3	32	reserved
	12	setpoint 4	33	reserved
	13	controller output level		
	14	controller output 1		
	15	controller output 2		

## 8.8 Timer “tFct”

Configuration
Analog inputs
Controller
Generator
Limit comparators
Outputs
Binary functions
Display
<b>Timer</b>
Interfaces

tFct: Timer function

Time-dependent control actions can be carried out with the help of the timer. The timer signal (timer 1 + 2) shows whether the timer is active. It can be output via the binary outputs or processed internally.

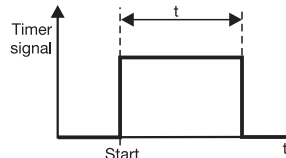
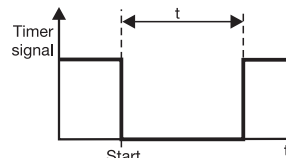
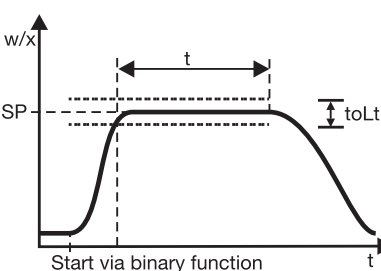
The timers are started or canceled via the binary functions.

⇒ Chapter 8.6 “Binary functions “binF””

The current timer run times can be viewed at the operator level (process data).

**Timer 1** tF1 →

**Timer 2** tF2 →

Function	Symbol	Value/selection	Description
	<b>Fnc t</b>		<p><b>0 no function</b></p> <p>1 with timer running: timer signal=1 (signal is active) / unit of time: hh:mm</p> <p>2 with timer running: timer signal=0 (signal is inactive) / unit of time: hh:mm</p> <p>3 tolerance band / unit of time: hh:mm</p> <p>4 with timer running: timer signal=1 (signal is active) / unit of time: mm:ss</p> <p>5 with timer running: timer signal=0 (signal is inactive) / unit of time: mm:ss</p> <p>6 tolerance band / unit of time: mm:ss</p> <p>Signal active  Signal inactive </p> <p>Function: “Tolerance band” </p> <p>The time runs when the process value has reached a tolerance band around the setpoint. Timer signal = 1 (signal is active) from the start of the function until the time has expired.</p>
<b>Timer setting</b>	t	0...99:59	Time input (unit of time, see “Function”)
<b>Tolerance limit</b>	t0Lt	0...999	0=off

Factory settings are shown **bold**.

# 8 Configuration

## 8.9 Interfaces “IntF”

Configuration
Analog inputs
Controller
Generator
Limit comparators
Outputs
Binary functions
Display
Timer
<b>Interfaces</b>

IntF: Interfaces

The interface parameters for the RS422/485 or PROFIBUS-DP interface have to be configured in order to communicate with PCs, bus systems and peripheral devices.

### PROFIBUS-DP PROF →

	Symbol	Value/selection	Description
Protocol	<i>Prot</i>	0 <b>1</b> 2	Intel <b>Motorola</b> Intel integer
Device address	<i>Adr</i>	0... <b>125</b> ...255	Address in data network
Analog marker	<i>AnAP</i>	-1999... <b>0</b> ...+9999	Analog value
Binary marker	<i>binP</i>	<b>0</b> ...255	Binary value

Factory settings are shown **bold**.

### Modbus r422 →

	Symbol	Value/selection	Description
Protocol	<i>Prot</i>	<b>0</b> 1	<b>Modbus</b> Modbus integer
Baud rate	<i>bdrb</i>	<b>0</b> 1 2	<b>9600 bps</b> 19200 bps 38400 bps
Data format	<i>dfbt</i>	<b>0</b> 1 2 3	<b>8 data bits, 1 stop bit, no parity</b> 8 data bits, 1 stop bit, odd parity 8 data bits, 1 stop bit, even parity 8 data bits, 2 stop bits, no parity
Device address	<i>Adr</i>	0... <b>1</b> ...255	Address in data network
Min. response time	(setup)	0...500ms	Minimum time that elapses between the request of a device in the data network and the response of the controller.

Factory settings are shown **bold**.



Interface descriptions:  
 - B70.3041.2.0 (Modbus)  
 - B70.3041.2.3 (PROFIBUS-DP)

# 9 Tuning (optimization)

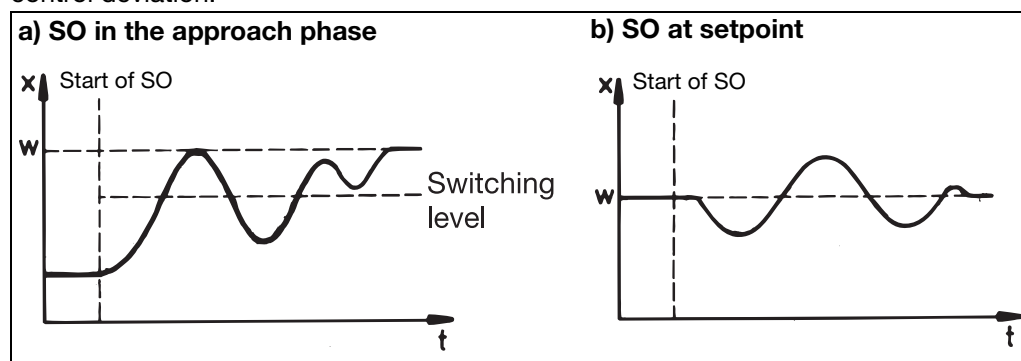
## 9.1 Autotuning (self-optimization)

### Oscillation method

Autotuning (self-optimization, SO) establishes the optimum controller parameters for a PID or PI controller.

Depending on the controller type, the following controller parameters can be defined: Reset time ( $t_r$ ), derivative time ( $t_d$ ), proportional band ( $P_b$ ), cycle time ( $C_y$ ), filter time constant ( $dF$ )

The controller selects one of two procedures (a or b), depending on the size of the control deviation:



### Step response method

This type of optimization involves determining the control parameters through an output step that is applied to the process. First a standby output is produced until the process value is “steady” (constant). Afterwards, an output step (step size), which can be defined by the user, is automatically applied to the process. The resulting response of the process value is used to calculate the control parameters.

Autotuning establishes the optimum control parameters for a PID or PI controller, according to the selected control structure.

Depending on the controller type, the following control parameters can be determined: Reset time ( $t_r$ ), derivative time ( $t_d$ ), proportional band ( $P_b$ ), cycle time ( $C_y$ ), filter time constant ( $dF$ )

Autotuning can be started from any system status, and can be repeated as often as is required.

The controller outputs (continuous, relay, solid-state), the controller standby output and the step size (min. 10%) have to be defined.

#### Principal applications of the step response method

- Autotuning instantly after “power on”, during the approach phase  
Considerable time savings, setting: controller standby output = 0 %.
- The process does not readily permit oscillations (e.g. highly insulated furnaces with small losses, long oscillation period)
- Process value must not exceed setpoint  
If the output (with stabilized setpoint) is known, overshoot can be avoided through the following adjustment:  
standby output + step size  $\leq$  output in stabilized condition

## 9 Tuning (optimization)

---

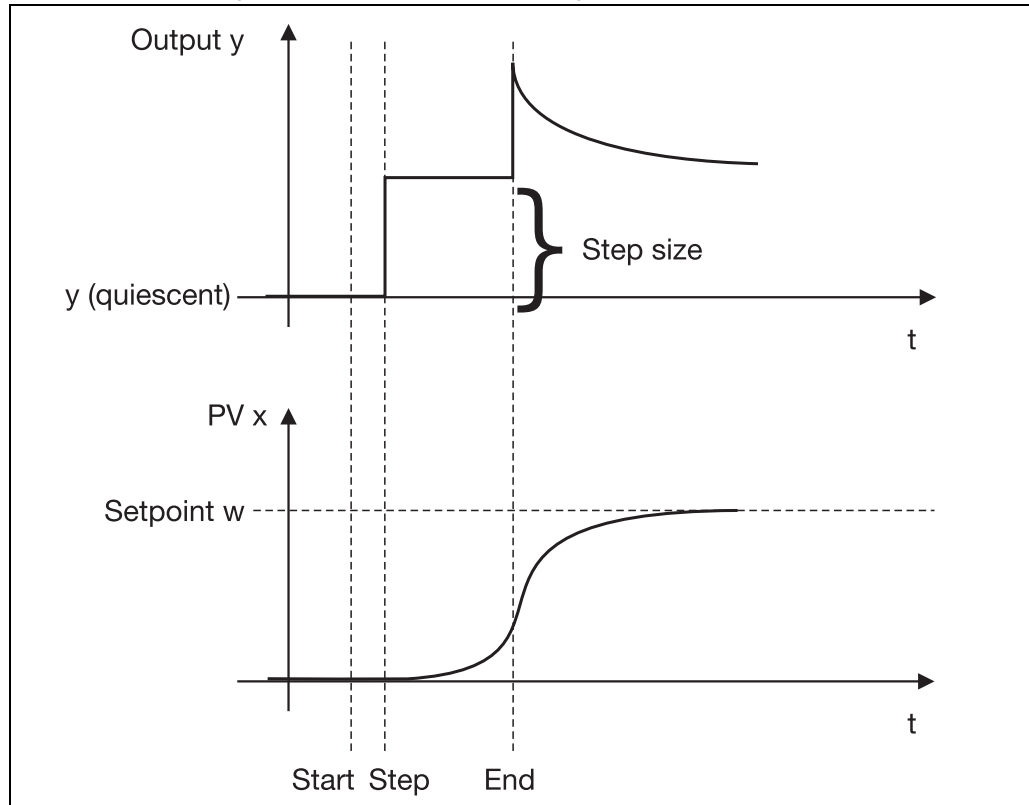


With output type “solid-state”, the cycle time during autotuning is reduced to 8 x the sampling cycle time.

With the “relay” output type, care has to be taken that the process value is not influenced by the cycle time, since otherwise autotuning can not be completed successfully.

Solution: Reduce the cycle time  $C_y$ , until the process value is no longer influenced. (Manual mode can be used for the adjustment!)

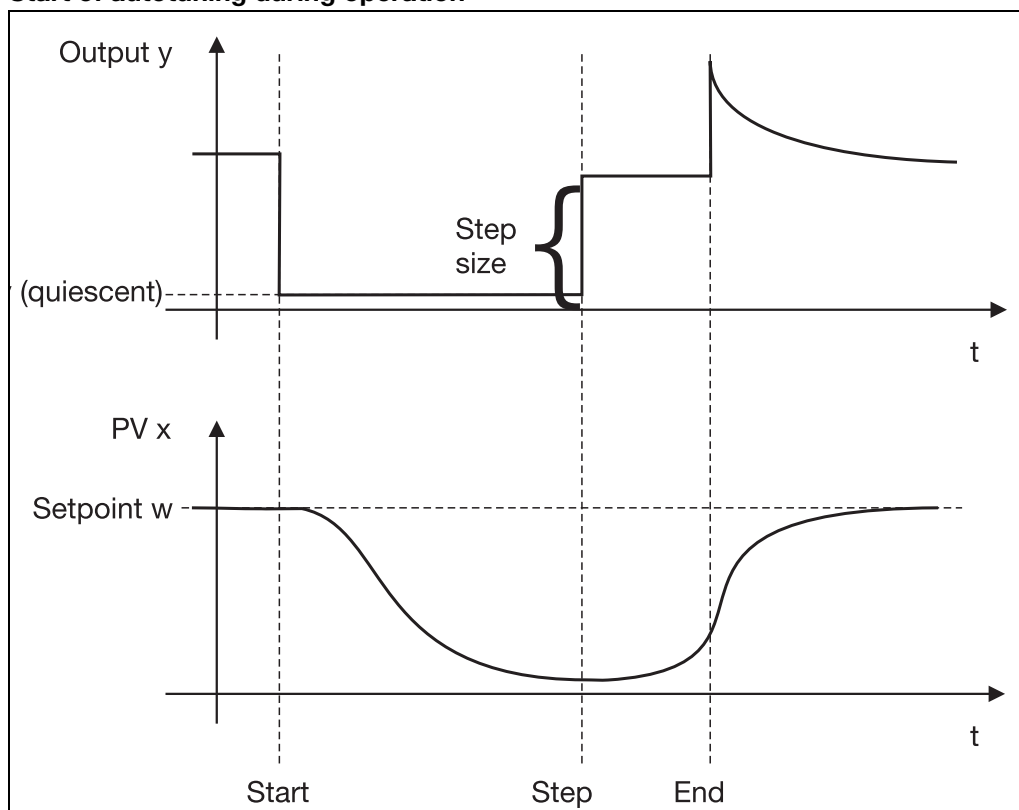
**Start of autotuning after power-on and during the approach phase**





# 9 Tuning (optimization)

## Start of autotuning during operation



### Starting auto-tuning

- \* Start with ▲ and ▼ (simultaneously >2sec  
“tUnE” is shown, blinking, in the lower display

Autotuning is ended when the display automatically changes over to normal display.  
The duration of autotuning depends on the control process.



The type of controller outputs has to be defined for autotuning.

⇒ Chapter 8.2 “Controller “Cntr””

For a device configured as program controller, the autotuning can only be started if no program is running (normal display).

In case of problems, you may find further information at [www.jumo.net](http://www.jumo.net) (Support/FAQ).

### Canceling auto-tuning

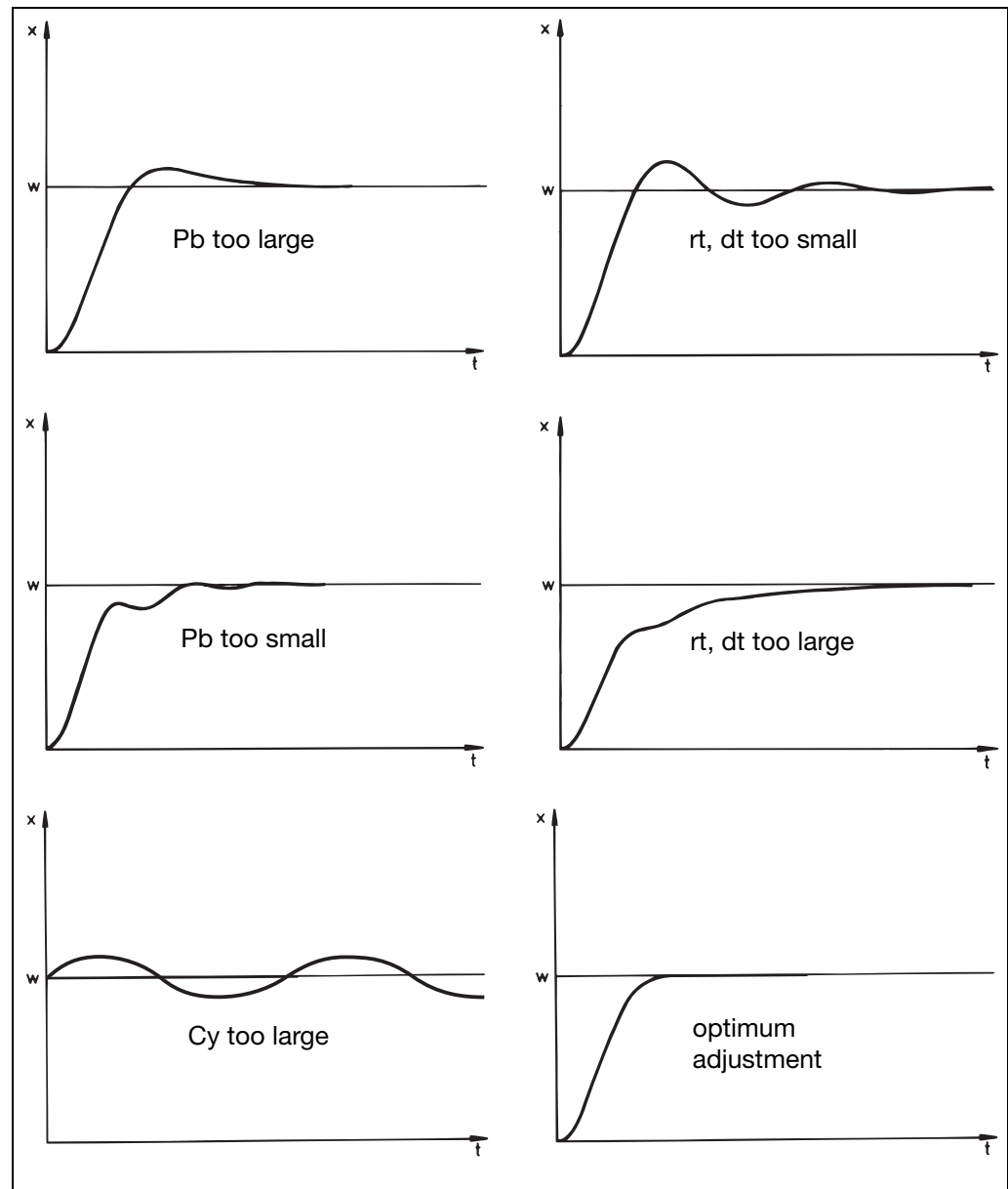
- \* Cancel with ▲ and ▼ (simultaneously)

# 9 Tuning (optimization)

## 9.2 Check of the tuning

The optimum adaptation of the controller to the process can be checked by recording the approach phase (e.g. with Startup) with the control loop closed. The diagrams below indicate possible maladjustments and how these can be corrected.

The control response of a third-order control loop for a PID controller is shown as an example. However, the procedure for adjusting the controller parameters can also be applied to other control loops.



## 10.1 Math and logic module

The setup program can be used to implement two mathematical calculations or logical combinations of various signals and process variables from the controller in a formula.

With math formulae, the calculated result is presented through the two signals “Math 1” and “Math 2” of the analog selector. With logic formulae, the result of the logical combination is available through the signals “Logic 1” and “Logic 2” of the binary selector and when configuring the binary functions.

Chapter 8.6 “Binary functions “binF””

### Entering formulae

- The string of signs in the formula consists of ASCII characters, and can have a maximum length of 60 characters.
- The formula can only be entered in the setup program.
- Formulae can be freely entered according to normal mathematical rules.
- Spaces can be inserted at will into the formula character string. But spaces are not permitted within function labels, variable names and constants.

## 10.2 Difference, humidity or ratio controller

The controller is preset either as a difference/humidity or ratio controller (extra code) or must be configured via the setup program. Analog input 2 must be available.

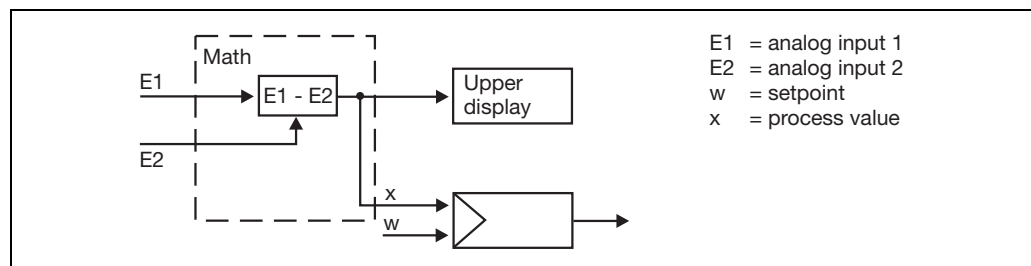
⇒ *Setup/Only setup/Math/Logic/Math 1*

The process variables for the two analog inputs have a fixed definition.

### Difference control

The difference between the measurements from analog input 1 and 2 is formed and made available via “Math 1”. Input 1 is affected by the controller. Input 2 is the reference value.

Difference:  $E1 - E2$



For the controller to function as a difference controller, further settings have to be made:

- controller process value: math 1
- ⇒ Chapter 8.2 “Controller “Cntr””

If the difference is to be displayed, then one display must be configured to “Math 1”.

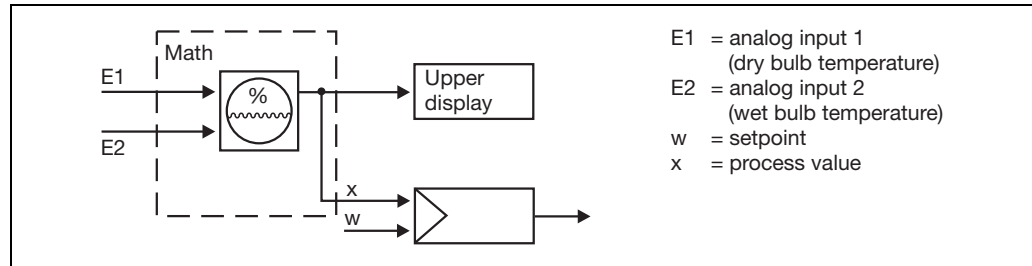
⇒ Chapter 8.7 “Display “diSP””

# 10 Extra codes

## Humidity control

A psychrometric humidity sensor is used to determine relative humidity, through the mathematical combination of wet bulb and dry bulb temperatures.

relative humidity: (E1, E2)



For the controller to function as a humidity controller, further settings have to be made:

- controller process value: math 1
- ⇒ Chapter 8.2 “Controller “Cntr””

If the value for relative humidity needs to be displayed, then one display must be configured to “Math 1”.

- ⇒ Chapter 8.7 “Display “diSP””

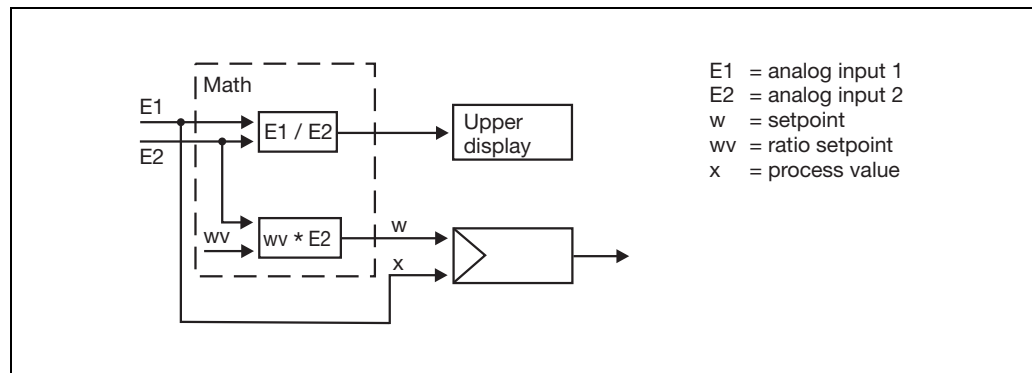
## Ratio control

The control is always based on analog input 1 (E1).

The math module forms the ratio of the measurements from E1 and E2, and produces the setpoint for the controller. The ratio of the measurements can be called up through the function “Math 1” and displayed.

The required ratio E1/E2 is programmed as the setpoint (ratio setpoint) in the setpoint definition.

Ratio: E1/E2



For the controller to function as a ratio controller, further settings have to be made:

- controller process value: analog input 1
  - external setpoint: ramp end value
- ⇒ Chapter 8.2 “Controller “Cntr””

If the ratio needs to be displayed, then one display must be configured to “Math 1”.

- ⇒ Chapter 8.7 “Display “diSP””

# 11 Retrofitting of modules

## Safety notes



Retrofitting of modules must only be carried out by qualified professional persons.



The modules can be damaged by electrostatic discharge. So avoid electrostatic charge during fitting and removal. Carry out retrofitting on a workbench that is earthed.

## Identifying the module

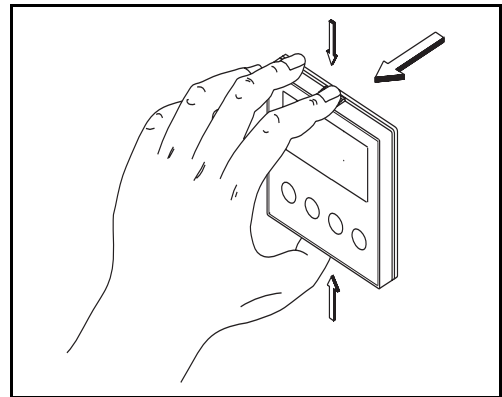
\* Identify the module by the Sales. No. glued onto the packaging

Module	Code	Sales no.	View of boards
Analog input 2	1	70/00442785	
1 relay (changeover, SPDT)	2	70/00442786	
2 relays (make, SPST-NO)	3	70/00442787	
1 analog output	4	70/00442788	
2 binary inputs	5	70/00442789	
1 solid-state relay 230V/1A	6	70/00442790	
RS422/485 interface	7	70/00442782	
PROFIBUS-DP	8	70/00442791	

# 11 Retrofitting of modules

## Removing the controller module

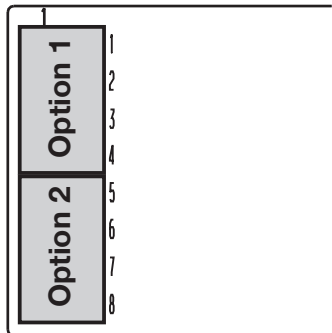
- \* Press together the knurled surfaces on the front panel (top and bottom, or left and right for landscape format) and pull out the controller module.




## Retrofitting of modules

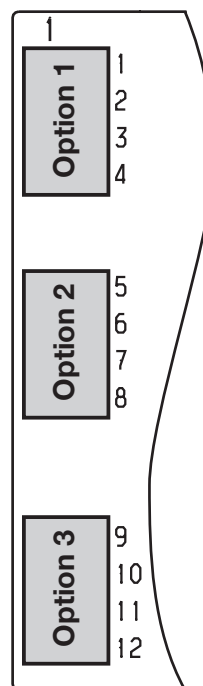
- \* Select the slot for the option (Observe the restrictions for Type 703041! (see connection diagram))

Type 703041

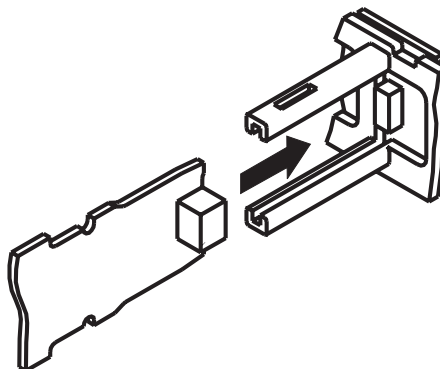


-  On Type 703041, relays can only be retrofitted in option slot 1!

Type 703042/43/44



- \* Push the module into the slot until the plug connector snaps into place



- \* Push the module into the housing until the lugs snap into their slots

## 12.1 Technical data

### Thermocouple input

Designation	Measuring range	Measuring accuracy	Ambient temperature error
Fe-Con L	-200 to + 900 °C	≤0.25%	100 ppm / °C
Fe-Con J EN 60 584	-200 to +1200 °C	≤0.25%	100 ppm / °C
Cu-Con U	-200 to + 600 °C	≤0.25%	100 ppm / °C
Cu-Con T EN 60 584	-200 to + 400 °C	≤0.25%	100 ppm / °C
NiCr-Ni K EN 60 584	-200 to +1372 °C	≤0.25%	100 ppm / °C
NiCr-Con E EN 60 584	-200 to +1000 °C	≤0.25%	100 ppm / °C
NiCrSi-NiSi N EN 60 584	-100 to +1300 °C	≤0.25%	100 ppm / °C
Pt10Rh-Pt S EN 60 584	0 to 1768 °C	≤0.25%	100 ppm / °C
Pt13Rh-Pt R EN 60 584	0 to 1768 °C	≤0.25%	100 ppm / °C
Pt30Rh-Pt6Rh B EN 60 584	0 to 1820 °C	≤0.25% <sup>a</sup>	100 ppm / °C
W5Re-W26Re C	0 to 2320 °C	≤0.25%	100 ppm / °C
W3Re-W25Re D	0 to 2495 °C	≤0.25%	100 ppm / °C
W3Re-W26Re	0 to 2400 °C	≤0.25%	100 ppm / °C
Cold junction	Pt100, internal		

a. in the range 300 to 1820 °C

### Input for resistance thermometer

Designation	Connection	Measuring range	Measuring accuracy		Ambient temperature error
			3-/4-wire	2-wire	
Pt100 (factory setting) EN 60 751	2-wire / 3-wire / 4-wire	-200 to +850 °C	≤0.05%	≤0.4%	50 ppm / °C
Pt500 EN 60 751	2-wire / 3-wire / 4-wire	-200 to +850 °C	≤0.2%	≤0.4%	100 ppm / °C
Pt1000 EN 60 751	2-wire / 3-wire / 4-wire	-200 to +850 °C	≤0.1%	≤0.2%	50 ppm / °C
KTY11-6	2-wire	-50 to +150 °C	—	≤2.0%	50 ppm / °C
Sensor lead resistance	max. 30 Ω per lead for 3-wire or 4-wire circuit				
Measuring current	approx. 250 μA				
Lead compensation	Not required for 3-wire or 4-wire circuit. With a 2-wire circuit, the lead resistance can be compensated in software by a correction of the process value.				

### Input for standard signals

Designation	Measuring range	Measuring accuracy	Ambient temperature error
Voltage	0(2) — 10V 0 — 1V input resistance $R_{IN} > 100k\Omega$	≤0.05% ≤0.05%	100 ppm / °C 100 ppm / °C
Current	0(4) — 20mA, voltage drop ≤ 1.5V	≤0.05%	100 ppm / °C
Heating current	0 — 50mA AC	≤1%	100 ppm / °C
Resistance transmitter	min. 100 Ω, max. 4k Ω	≤0.5%	100 ppm / °C

### Binary inputs

Floating contacts	
-------------------	--

# 12 Appendix

## Measuring circuit monitoring

In the event of a fault, the outputs move to a defined (configurable) status.

Sensor	Overrange / underrange	Probe or lead short-circuit	Probe or lead break
Thermocouple	•	-	•
Resistance thermometer	•	•	•
Voltage 2 – 10V	•	•	•
0 – 10V	•	-	-
0 – 1V	•	-	-
Current 4 – 20mA	•	•	•
0 – 20mA	•	-	-
Resistance transmitter	-	-	•

• = recognized - = not recognized

## Outputs

Relay (changeover) for Type 703042/43/44 contact rating contact life	5A at 230VAC resistive load <sup>a</sup> 350,000 operations at rated load / 750,000 operations at 1A
Relay (changeover) (option) contact rating contact life	8A at 230V AC resistive load <sup>a</sup> 100,000 operations at rated load / 350,000 operations at 3A
Relay (n.o. make) for Type 703041 contact rating contact life	3A at 230VAC resistive load 150,000 operations at rated load / 350,000 at 1A
Relay (n.o. make) (option) contact rating contact life	3A at 230VAC resistive load 350,000 operations at rated load / 900,000 operations at 1A
Logic output	0/12V / 30mA max. (sum of all output currents) or 0/18V / 25mA max. (sum of all output currents)
Solid-state relay (option) contact rating protection circuitry	The holding current of the triac is at least 50mA. 1A at 230V varistor
Voltage (option) output signals load resistance accuracy	0 – 10V / 2 – 10V $R_{load} \geq 500\Omega$ $\leq 0.5\%$
Current (option) output signals load resistance accuracy	0 – 20mA / 4 – 20mA $R_{load} \leq 500\Omega$ $\leq 0.5\%$
Supply voltage for 2-wire transmitter for Type 703042/43/44 voltage	electrically isolated, not stabilized  17V at 20mA load, 25V DC with no load

a. 3 A with devices certified to DIN EN 14597

## Controller

Controller type	2-state controller (factory setting), 3-state controller, modulating controller, continuous controller
Controller structures	P/PD/PI/PID
A/D converter	dynamic resolution up to 16-bit
Sampling cycle time	50msec, 90msec, 150msec, 250msec (factory setting: 250msec)



## Electrical data

Supply voltage (switchmode PSU)	110 – 240V AC -15/+10%, 48 – 63Hz 20 – 30V AC/DC, 48 – 63Hz																								
Electrical safety	Type 703041: to EN 61010, Part 1 Type 703042/43/44: to EN 60730 Overvoltage category III, pollution degree 2																								
Power consumption	Type 703041: 8VA max. Type 703042/43/44: 13VA max.																								
Data backup	EEPROM																								
Electrical connection	at the back, via screw terminals, conductor cross-section up to 2.5mm <sup>2</sup> with core ferrules (length: 10 mm)  <b>Conductor cross-sections and core-end ferrules for installation</b>																								
	<table border="1"> <thead> <tr> <th></th> <th>Minimum cross-section</th> <th>Maximum cross-section</th> <th>Min. length of core-end ferrule</th> </tr> </thead> <tbody> <tr> <td>Without core-end ferrule</td> <td>0.34 mm<sup>2</sup></td> <td>2.5mm<sup>2</sup></td> <td>10mm (stripped)</td> </tr> <tr> <td>Core-end ferrule, no lip</td> <td>0.25mm<sup>2</sup></td> <td>2.5mm<sup>2</sup></td> <td>10mm</td> </tr> <tr> <td>Core-end ferrule, lip up to 1.5mm<sup>2</sup></td> <td>0.25mm<sup>2</sup></td> <td>1.5mm<sup>2</sup></td> <td>10mm</td> </tr> <tr> <td>Core-end ferrule, lip above 1.5mm<sup>2</sup></td> <td>1.5mm<sup>2</sup></td> <td>2.5mm<sup>2</sup></td> <td>12mm</td> </tr> <tr> <td>Twin ferrule with lip</td> <td>0.25mm<sup>2</sup></td> <td>1.5mm<sup>2</sup></td> <td>12mm</td> </tr> </tbody> </table>		Minimum cross-section	Maximum cross-section	Min. length of core-end ferrule	Without core-end ferrule	0.34 mm <sup>2</sup>	2.5mm <sup>2</sup>	10mm (stripped)	Core-end ferrule, no lip	0.25mm <sup>2</sup>	2.5mm <sup>2</sup>	10mm	Core-end ferrule, lip up to 1.5mm <sup>2</sup>	0.25mm <sup>2</sup>	1.5mm <sup>2</sup>	10mm	Core-end ferrule, lip above 1.5mm <sup>2</sup>	1.5mm <sup>2</sup>	2.5mm <sup>2</sup>	12mm	Twin ferrule with lip	0.25mm <sup>2</sup>	1.5mm <sup>2</sup>	12mm
	Minimum cross-section	Maximum cross-section	Min. length of core-end ferrule																						
Without core-end ferrule	0.34 mm <sup>2</sup>	2.5mm <sup>2</sup>	10mm (stripped)																						
Core-end ferrule, no lip	0.25mm <sup>2</sup>	2.5mm <sup>2</sup>	10mm																						
Core-end ferrule, lip up to 1.5mm <sup>2</sup>	0.25mm <sup>2</sup>	1.5mm <sup>2</sup>	10mm																						
Core-end ferrule, lip above 1.5mm <sup>2</sup>	1.5mm <sup>2</sup>	2.5mm <sup>2</sup>	12mm																						
Twin ferrule with lip	0.25mm <sup>2</sup>	1.5mm <sup>2</sup>	12mm																						
Electromagnetic compatibility interference emission interference immunity	EN 61326-1 Class B to industrial requirements																								

## Housing

Housing type	plastic housing for panel mounting to IEC 61554
Depth behind panel	90 mm
Ambient/storage temperature range	0 to 55°C / -30 to +70°C
Climatic conditions	rel. humidity ≤90% annual mean, no condensation
Operating position	horizontal
Enclosure protection	to EN 60 529, front IP65 / back IP20
Weight (fully fitted)	Type 703041: approx. 220g Type 703042/43: approx. 380g Type 703044: approx. 490g

## Interface

### Modbus

Interface type	RS422/485
Protocol	Modbus, Modbus Integer
Baud rate	9600, 19200, 38400
Device address	0 – 255
Max. number of nodes	32

### PROFIBUS-DP

Device address	0 – 255
----------------	---------

## Approvals/marks of conformity

Mark of conformity	Testing laboratory	Certificates/certification numbers	Test basis	valid for
DIN	DIN CERTCO	Register No. TR1187	DIN EN 14597	all types
GL - Hardware GL - Software	Germanischer Lloyd	Type Approval Certificate No. 45 059-07 HH	GL-Approval Category C, EMC1	703044/191-320-23/ 214, 062
c UL us	Underwriters Laboratories	E 201387	UL 61010-1 CAN/CSA-C22.2 No. 61010-1	all types

# 12 Appendix

## 12.2 Alarm messages

Display	Cause	Fault removal test/repair/replace
- 1999 (blinking!)	Underrange for the value being displayed.	<ul style="list-style-type: none"> <li>- Check that the connected probe complies with the configured sensor type and linearization</li> <li>- Check the probe connection and the terminals</li> <li>- Check the cable</li> <li>- Check probe for short-circuit and probe break</li> <li>- In case of standard signal: Is the signal within the permissible range (e.g. 4 - 20mA)?</li> </ul>
9999 (blinking!)	Overrange for the value being displayed.	
9999 (lower display)	Error in output feedback of modulating controller	Check the source signal for output feedback
---- (blinking!)	Source signal for controller process value is switched off	Select a source signal in configuration level
all displays on; lower 7-segment display is blinking	Watchdog or power-on trigger initialization (reset).	Replace the controller if the initialization continues for more than 5sec
PrOF	PROFIBUS error	Can be suppressed by setting the PROFIBUS address to "0" (if PROFIBUS interface is not used).
OPt	Hardware configuration error	Check which option boards are installed in the slots

Overrange / underrange covers the following events:

- Probe break or short-circuit
- Measurement is outside the controllable range for the probe that is connected
- Display overflow

## A

Access code 39  
Accessories 10  
Acknowledgement 53  
Analog input 41  
Analog marker 62  
Analog selector 40  
Autotuning (self-optimization) 46, 63

## B

Baud rate 62  
Binary functions 56  
Binary marker 62  
Binary output 54  
Brightness 59

## C

Connection diagrams 17  
Control action 45, 61–62  
Control contacts 48  
Controller 45  
Controller module, removing 14  
Controller standby output 46  
Controller type 45, 54, 57, 61

## D

Data format 62  
Decimal point 59  
Delay time 48  
Device address 62  
Difference control 67  
Dimensions 11  
Display 59  
Display end 42  
Displays 25

## E

Electrical isolation 16  
End value 55  
Entering formulae 67  
Entering programs 30  
Entering times 28  
Entering values 28

## F

Filter time constant 42  
Fine tuning 42  
Fitting 13  
Front panel, care of 13

## H

Heater current monitoring 42  
Hot-channel controller 49  
Humidity control 68

## I

Installation notes 15  
Interface 62

## L

Level concept 26  
Level inhibit 27, 59  
Limit comparator 50  
Limit comparator functions 50  
Limit value 51  
Linearization 41

## M

Manual mode 55  
Manual mode, inhibiting 45  
Manual output 45  
Measurement offset 42  
Module  
    identification 69  
    retrofitting 69  
Mounting site 11

## O

Outputs 54  
    numbering 54

## P

Parameter level 37  
Parameter set switching 57  
Password 39  
PC interface 10  
Program profile, shifting 33  
Program start 48  
Protocol 62  
Pulse time 53

## R

Ramp slope 48  
Range output 45  
Ratio control 68

## S

Safety notes 69  
Sampling cycle time 43

# 13 Index

---

Scope of delivery 10  
Sensor type 41  
Setpoint 35  
    external 46  
Setpoint limits 45  
Setpoint switching 57  
Setup program 10  
Side-by-side mounting 13  
Signal type 55  
Step response method 63  
Step size 46  
Supply frequency 43  
Switching action 56  
Switching differential 51  
Switch-on delay 52

## T

Text display 57  
Time-out 59  
Timer 61  
Tolerance band 48, 61  
Tuning (optimization) 66  
Type designation 9

## U

Unit 43, 48

## Z

Zero point 55

# Overview of the configuration level

InP Page 41	InP 1 InP 2	SEnS	Sensor type		
		Lin	Linearization		
		OFFS	Measurement offset		
		SCL	Display start		
		SCH	Display end		
		dF	Filter time constant		
		FtS	Fine tuning start value		
		FtE	Fine tuning end value		
		HEAt	Heater current monitoring		
			InP 2	Unit	Temperature unit
				Cycl	Sampling cycle time
		Cntr Page 45		CtYP	Controller type
				CAct	Control action
InHM	Inhibit manual mode				
MANd	Manual output				
rOut	Range output				
SPL	Setpoint low				
SPH	Setpoint high				
CPV	Controller process value				
ESP	External setpoint				
FEEd	Output feedback				
tYPT	Method of tuning				
InHt	Inhibit tuning				
Out 1	Output of tuning 1				
Out 2	Output of tuning 2				
SOuT	Controller standby output				
StS 1	Step size				
Pro Page 47		Funct	Function		
		Unit	Unit of slope		
		rASL	Ramp slope		
		tolP	Tolerance band		
LC Page 50	LC 1 LC 2 LC 3 LC 4	Funct	Function		
		AL	Limit value		
		HYSd	Switching differential		
		ActR	Action/range response		
		tOn	Switch-on delay		
		tOFF	Switch-off delay		
		ActL	Acknowledgement		
		tPUL	Pulse time		
		LCPr	Limit comparator PV		
		LCSP	Limit comparator SP		
		OutP Page 54	OutL ... OutB  OutA	Out 1	Binary output 1
...	...				
OutB	Binary output 10				
OutA	Analog output 5				
		Funct	Function		
		SiGn	Type of signal		
		rOut	Range output		
		OPnt	Zero point		
		End	End value		
		...	...		
		Out 7	Analog output 7		
binF Page 56		bin 1	Binary input 1		
		...	...		
		bin 6	Binary input 6		
		LC 1	Limit comparator 1		
		...	...		
		LC 4	Limit comparator 4		
		tF 1	Timer 1		
		tF 2	Timer 2		
		Lo 1	Logic 1		
		Lo 2	Logic 2		
		CC 1	Control contact 1		
		...	...		
		CC 4	Control contact 4		
		tolS	Tolerance limit signal		
PrES	Program end signal				
diSP Page 59		diSU	Upper display		
		diSL	Lower display		
		dEcP	Decimal point		
		br, 6	Brightness		
		diS3	16-segment display		
		tOut	Time-out		
tFct Page 61	tF 1 tF 2	Funct	Function		
		t	Timer time		
		tolL	Tolerance limit		
IntF Page 62	Prof	Prot	Protocol		
		Adr	Device address		
		r422	Protocol		
		bdrT	Baud rate		
		dFt	Data format		
		Adr	Device address		



**JUMO GmbH & Co. KG**

Street address:  
Moritz-Juchheim-Straße 1  
36039 Fulda, Germany  
Delivery address:  
Mackenrodtstraße 14  
36039 Fulda, Germany  
Postal address:  
36035 Fulda, Germany  
Phone: +49 661 6003-0  
Fax: +49 661 6003-607  
E-mail: [mail@jumo.net](mailto:mail@jumo.net)  
Internet: [www.jumo.net](http://www.jumo.net)

**JUMO Instrument Co. Ltd.**

JUMO House  
Temple Bank, Riverway  
Harlow, Essex CM20 2DY, UK  
Phone: +44 1279 635533  
Fax: +44 1279 635262  
E-mail: [sales@jumo.co.uk](mailto:sales@jumo.co.uk)  
Internet: [www.jumo.co.uk](http://www.jumo.co.uk)

**JUMO Process Control, Inc.**

8 Technology Boulevard  
Canastota, NY 13032, USA  
Phone: 315-697-JUMO  
1-800-554-JUMO  
Fax: 315-697-5867  
E-mail: [info@jumo.us](mailto:info@jumo.us)  
Internet: [www.jumo.us](http://www.jumo.us)